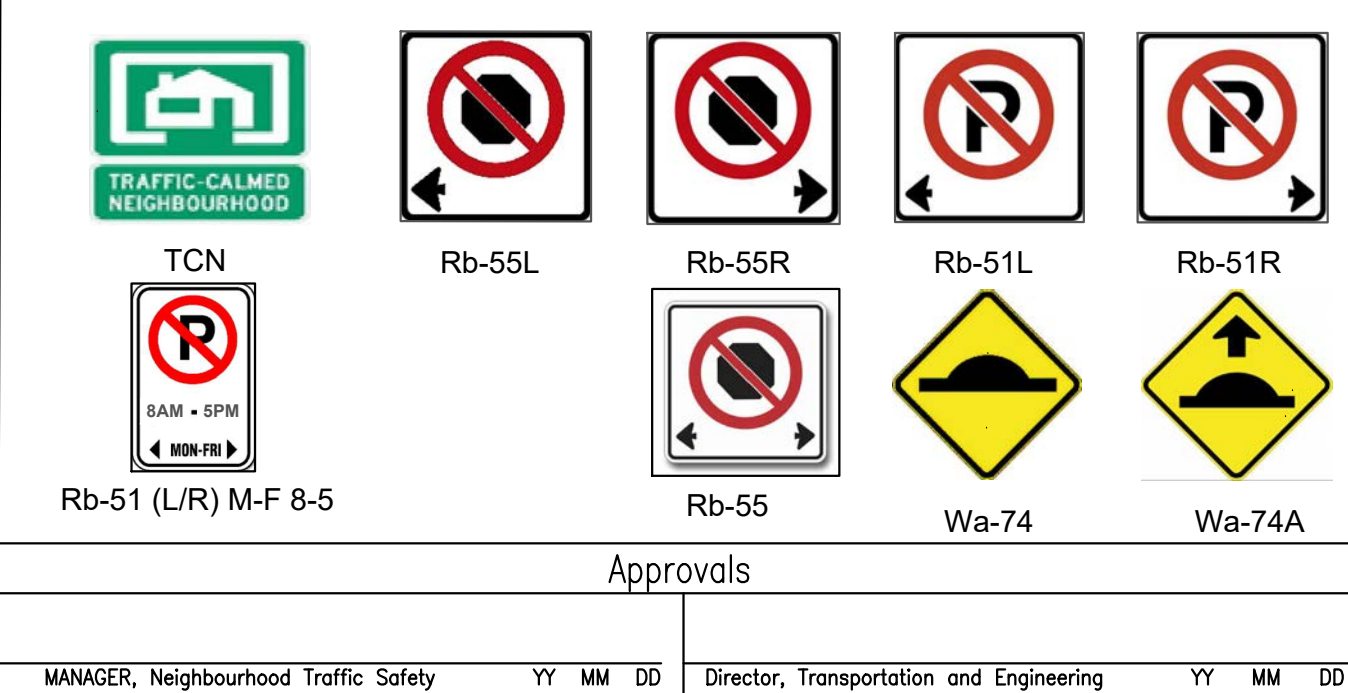
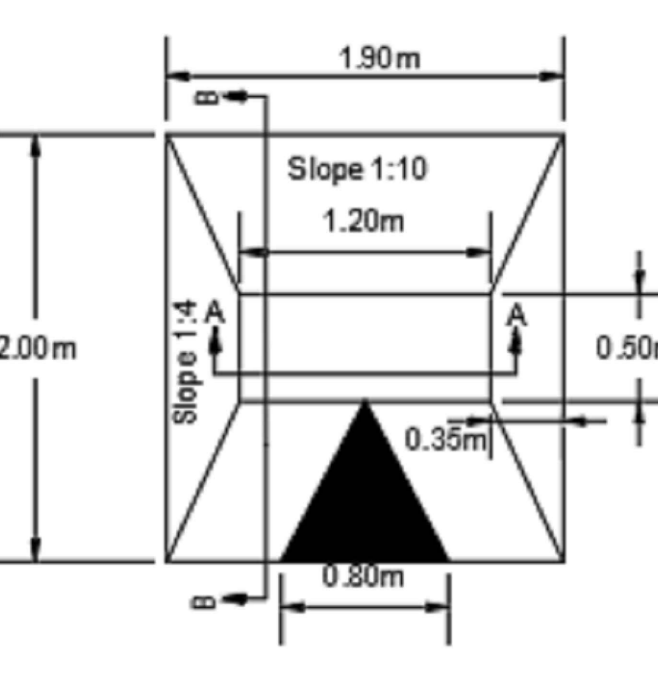
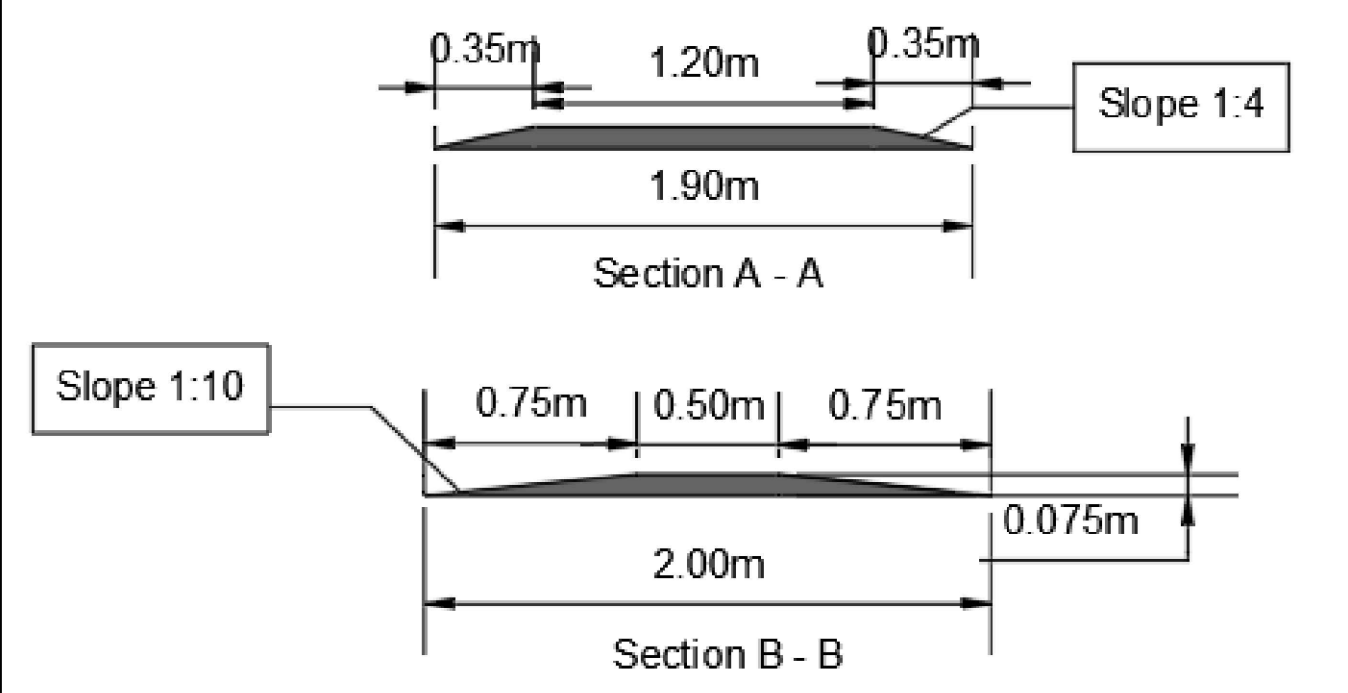


Notes:

- 1) Drawing scale is 1:250, speed cushion details shown in circular view are not to scale, follow dimensions for spacing between speed cushions
- 2) Any existing parking prohibition sign not marked on the drawing to remain as is.
- 3)
- 4)
- 5)



SCALE: 1:250
 DRAWN BY:
 CHECKED BY:
 DATE: March 2024
 ISSUE FOR TENDER DATE:
 ISSUE FOR CONSTRUCTION DATE:

OAKVILLE
 Traffic Calming Design
 Dunn Street
 Trafalgar Road to Randall Street
 Transportation and Engineering Department

Contract No. _____ Drawing No. _____