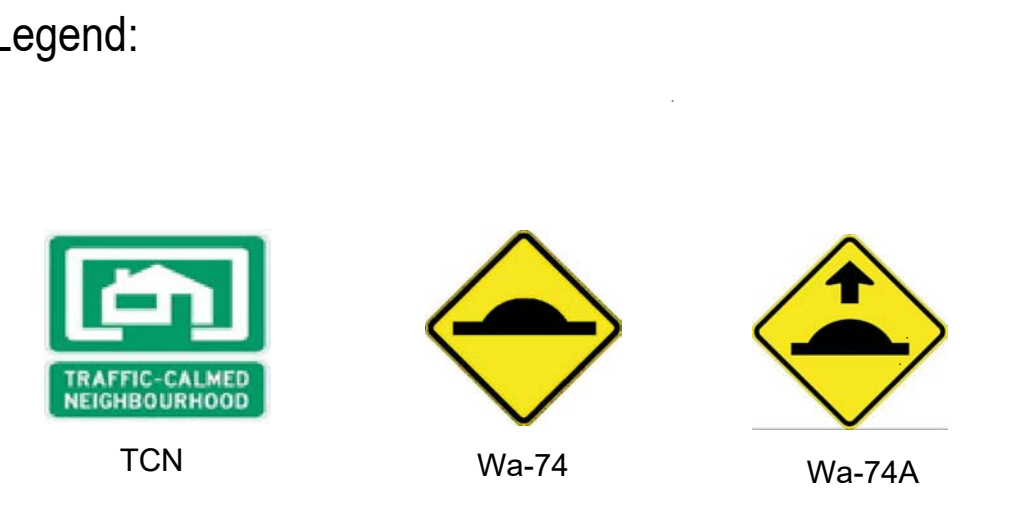
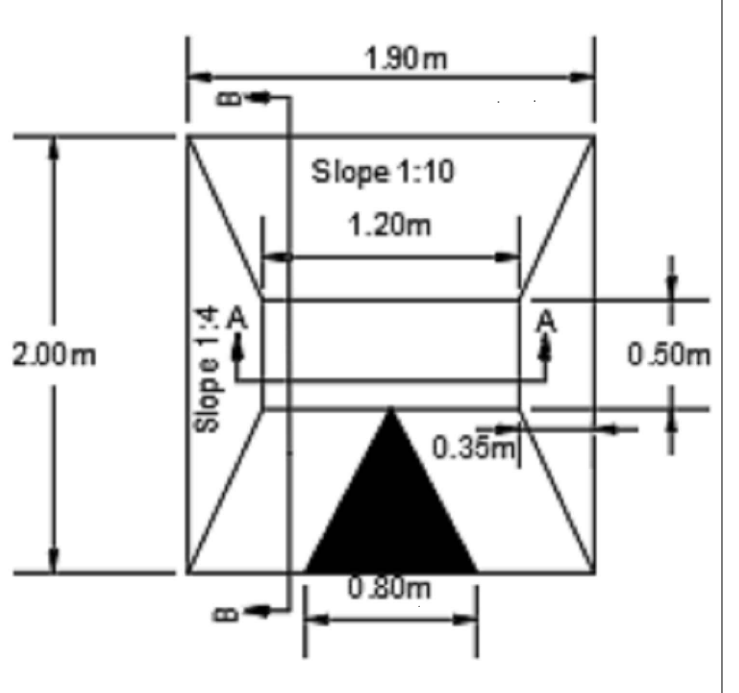
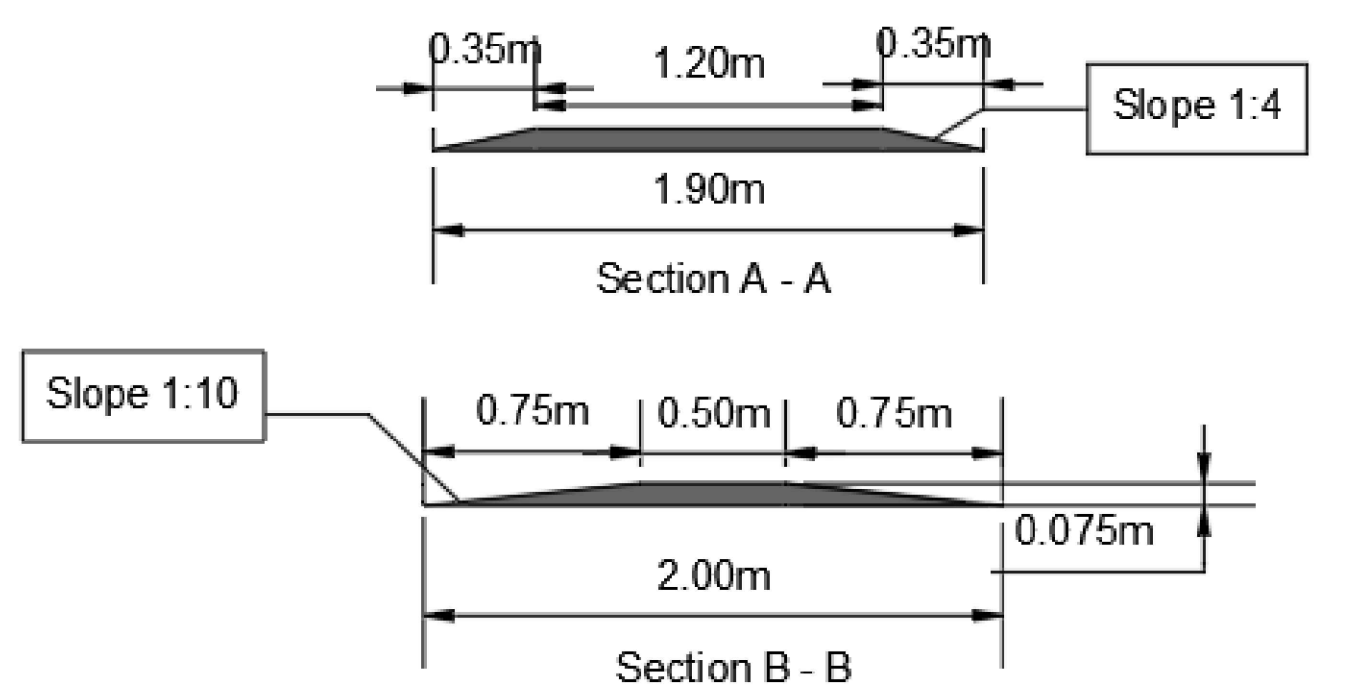




Notes:  
 1) Drawing scale is 1:500, speed cushion details shown in circular view are not to scale, follow dimensions for spacing between speed cushions



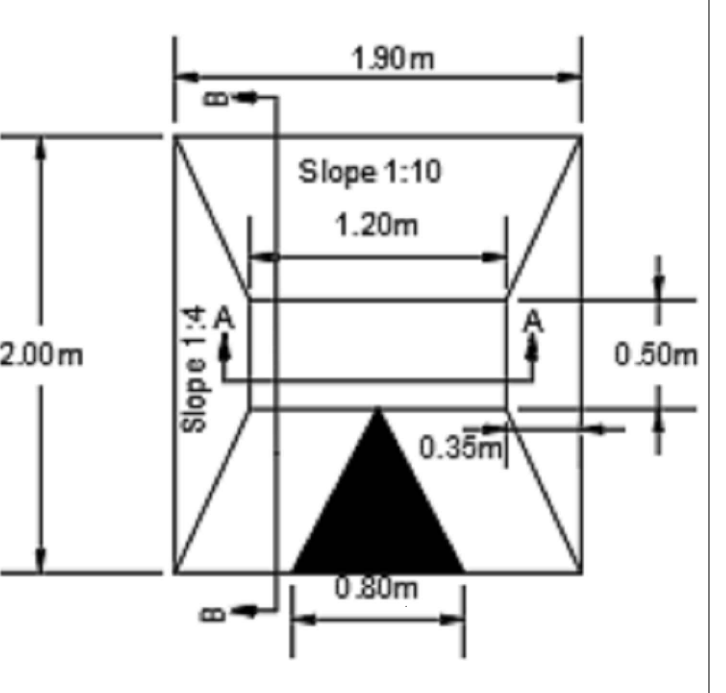
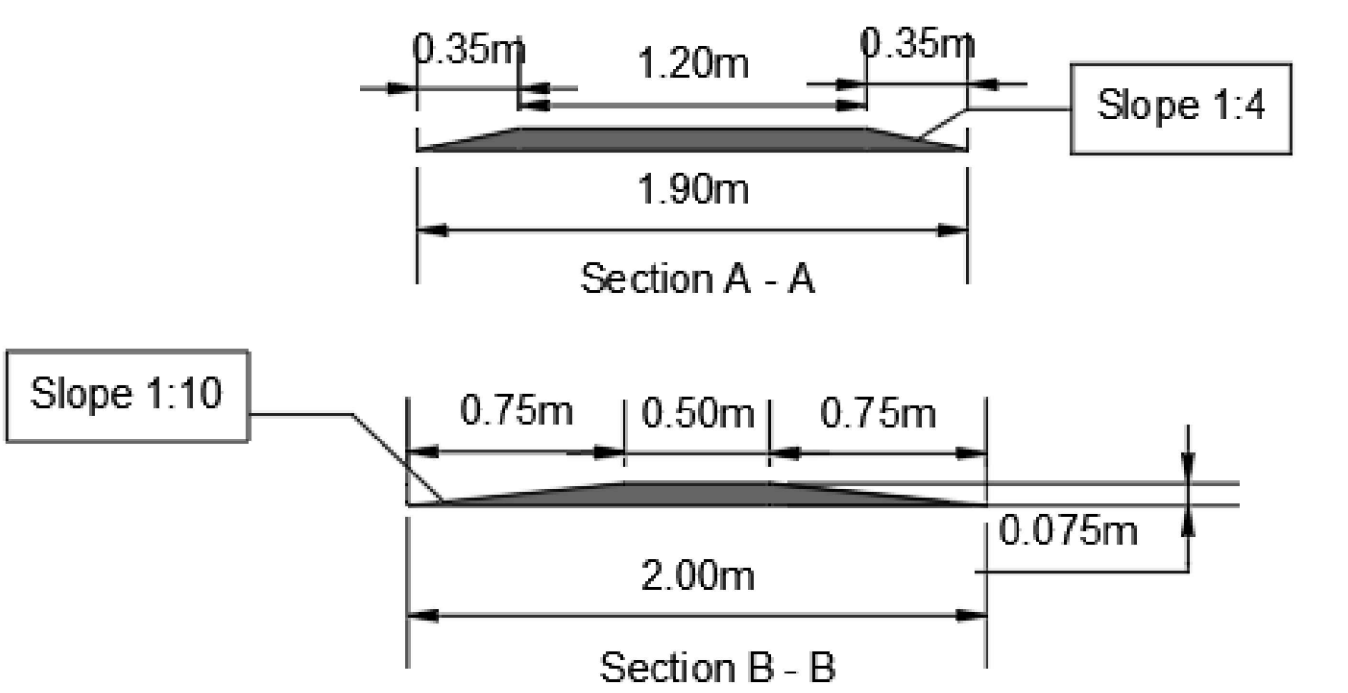
SCALE: 1:600
REVISION: 1
DRAWN BY: KT
CHECKED BY: JM
DATE: MAY 07 2024
ISSUE FOR TENDER
DATE:
ISSUE FOR CONSTRUCTION
DATE:

**OAKVILLE**  
**Traffic Calming Design**  
 Monks Passage  
 Nottinghill Gate to Monastery Drive  
 Transportation and Engineering Department




Contract No.	Drawing No. Sheet 1 of 2
--------------	--------------------------



Notes:  
 1) Drawing scale is 1:500, speed cushion details shown in circular view are not to scale, follow dimensions for spacing between speed cushions



Legend:

-  TCN
-  Wa-74
-  Wa-74A

SCALE: 1:600
REVISION: 1
DRAWN BY: KT
CHECKED BY: JM
DATE: MAY 07 2024
ISSUE FOR TENDER
DATE:
ISSUE FOR CONSTRUCTION
DATE:



**OAKVILLE**

**Traffic Calming Design**

Monks Passage

Nottinghill Gate to Monastery Drive

Transportation and Engineering Department

Contract No.	Drawing No. Sheet 2 of 2
--------------	--------------------------