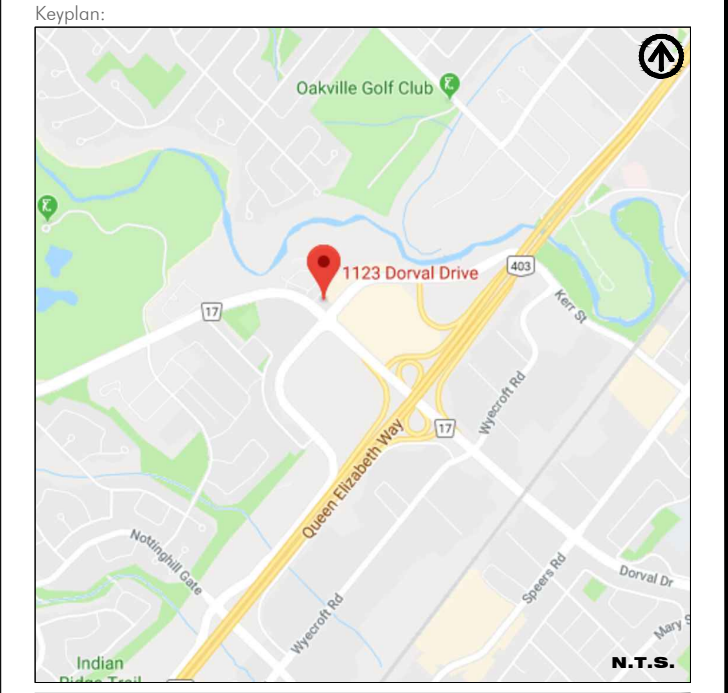


1 LANDSCAPE PLAN
1:150



We have relied upon the accuracy and completeness of base & background information provided by the following Consultants in preparing this drawing and performing our professional services.
MGM CONSULTING INC. AMY CHOI CONSULTING

We are under no obligation or duty to verify the accuracy and/or completeness of this information and have not done so.
We shall not be held responsible for any errors or omissions that may arise or be incorporated as a result of erroneous or incomplete information provided by the Client, Consultants and Contractors.
The contractor will check and verify all dimensions and job conditions on the site and report any discrepancies to the Landscape Architect prior to the commencement of construction.

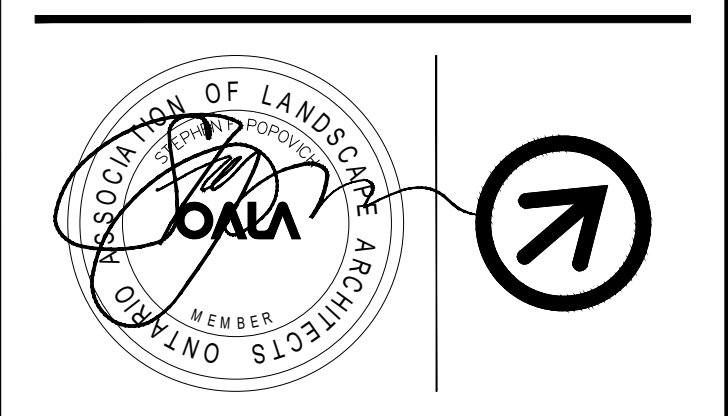
- LEGEND**
- REQUIRED TREE PROTECTION HOARDING (FRAMED)
 - REQUIRED TREE PROTECTION HOARDING (SOLID)
 - TREE PROPOSED FOR REMOVAL
 - PROPOSED SOD
 - PROPOSED CONSERVATION HALTALN SEED MIX (REFER TO DETAIL 2/L2)



A Suncor Energy business

No.	Date (Y/M/D)	Issue / Revision	By
9	240709	REVISED PER NEW SITE PLAN	SV
8	240617	REVISED PER SITE PLAN COMMENTS	SV
7	240119	REVISED PER NEW SITE PLAN	SV
6	231017	REVISED PER NEW SITE PLAN	SV
1	200630	ISSUED FOR REVIEW	GB

POPOVICH ASSOCIATES
1 Robert Speck Parkway, Suite 100
Mississauga, Ontario L4Z 3M3
T. 905.270.2229 F. 905.270.2190
info@popovich.ca



Landscape Architect's electronic or digital seal or signature is effective only as to that version of this document as originally published by the Landscape Architect. Landscape Architect is not responsible for any subsequent modification, corruption, or unauthorized use of such document. To verify that validity or applicability of the seal or signature, contact Landscape Architect.
All drawings are the property of the Landscape Architect and may not be copied, reproduced or altered without written permission from the Landscape Architect.
DO NOT SCALE DRAWING

Project Info:
SITE REDEVELOPMENT
1123 Dorval Drive, Oakville, ON L6M 3H9

Client Info:
PETRO CANADA
Suncor Energy Group

Sheet Title:
LANDSCAPE PLAN

Outlet # 33755

Project Number: 1413
Drawn By: GB
Checked By: SP
Date: JUNE 2020
Scale: AS NOTED

Sheet Number:
L1

DECIDUOUS TREES					
QUANTITY	BOTANICAL NAME	COMMON NAME	SIZE-CAL	ROOT	REMARKS
5	Amelanchier canadensis (Single)	Shadblow Serviceberry	50mm Cal.	W.B.	Straight, evenly branched tree form
3	Acer X freemanii 'Jeffersred'	Autumn Blaze Maple	70mm Cal.	W.B.	Straight trunk, evenly branched crowns
3	Gleditsia tri. var. in. 'Shademaster'	Shademaster Honey Locust	70mm Cal.	W.B.	Straight trunk, evenly branched crowns
1	Malus 'Makamik'	Makamik Crabapple	50mm Cal.	W.B.	Straight trunk, evenly branched crowns
7	Quercus alba	White Oak	50mm Cal.	W.B.	Straight trunk, evenly branched crowns
2	Quercus robur 'Fastigiata'	Pyramidal English Oak	50mm Cal.	W.B.	Straight trunk, evenly branched crowns

CONIFEROUS TREES					
QUANTITY	BOTANICAL NAME	COMMON NAME	SIZE-CAL	ROOT	REMARKS
8	Picea pungens	Colorado Spruce	300cm ht.	W.B.	Straight, evenly branched, dense plants

CONIFEROUS SHRUBS					
QUANTITY	BOTANICAL NAME	COMMON NAME	SIZE-CAL	ROOT	REMARKS
3	Juniperus sabina	Savin Juniper	50cm Spr./3 Gallon	Cont.	Full, dense plant
3	Juniperus sabina 'Tamariscifolia'	Tam Juniper	50cm Spr./3 Gallon	Cont.	Full, dense plant
41	Taxus x media 'Densiformis'	Dense Yew	60cm Ht./7 Gallon	Cont.	Full, dense plant

DECIDUOUS SHRUBS					
QUANTITY	BOTANICAL NAME	COMMON NAME	SIZE-CAL	ROOT	REMARKS
2	Amelanchier canadensis (Shrub)	Shadblow Serviceberry Clump	150cm Ht.	W.B.	Evenly branched, Min. 3 Canes
35	Rosa rugosa	Rugosa Rosa	2 Gallon	CONT.	Full, dense plant
41	Spiraea nipponica 'Snowmound'	Snowmound Spiraea	2 Gallon	CONT.	Full, dense plant
10	Syringa patula 'Miss Kim'	Miss Kim Dwarf Lilac	40cm Ht./3 Gallon	CONT.	Full, dense plant
6	Viburnum cassinoides	Witherod	2 Gallon	CONT.	Full, dense plant
3	Viburnum pli. f. tom. 'Summer Snowflake'	Summer Snowflake Viburnum	40cm Ht./3 Gallon	CONT.	Full, dense plant

PERENNIALS					
QUANTITY	BOTANICAL NAME	SIZE-CAL	ROOT	REMARKS	
75	Hosta 'Minuteman'	1 Gallon	Cont.	Full, dense plant	
283	Salvia nemorosa 'Caradonna'	1 Gallon	Cont.	Full, dense plant	

1 PLANT SCHEDULE

UPLAND DRY MEADOW SEED MIX		
BOTANICAL NAME	COMMON NAME	%
Rudbeckia hirta	Black Eyed Susan	15
Andropogon gerardii	Big Bluestem	30
Symphotrichum cordifolius	Blue Wood Aster	1
Solidago canadensis	Canada Goldenrod	2
Anemone canadensis	Canada Anemone	1
Asclepias syriaca	Common Milkweed	5
Oenothera biennis	Evening Primrose	2
Euthamia graminifolia	Grass Leaved Goldenrod	1
Schizachyrium scaparium	Little Bluestem	20
Carex granularis	Meadow/Open Field Sedge	12
Symphotrichum novae-angliae	New England Aster	1
Clematis virginiana	Virgins Bower	5
Monarda fistulosa	Wild Bergamot	5

2 CONSERVATION HALTON SEED MIX

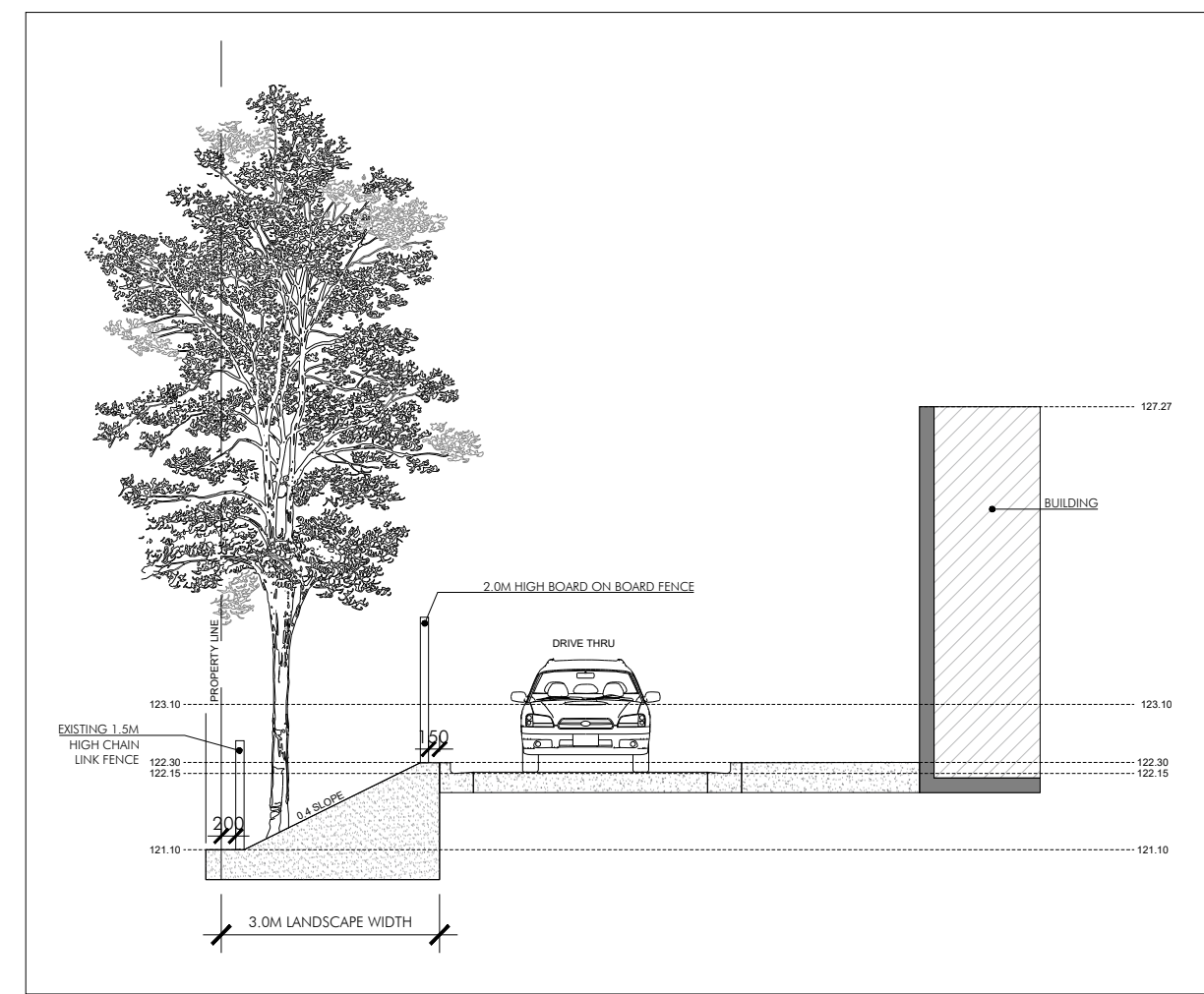
**SCHEDULE 1
TREE PROTECTION BARRIER**

OAKVILLE

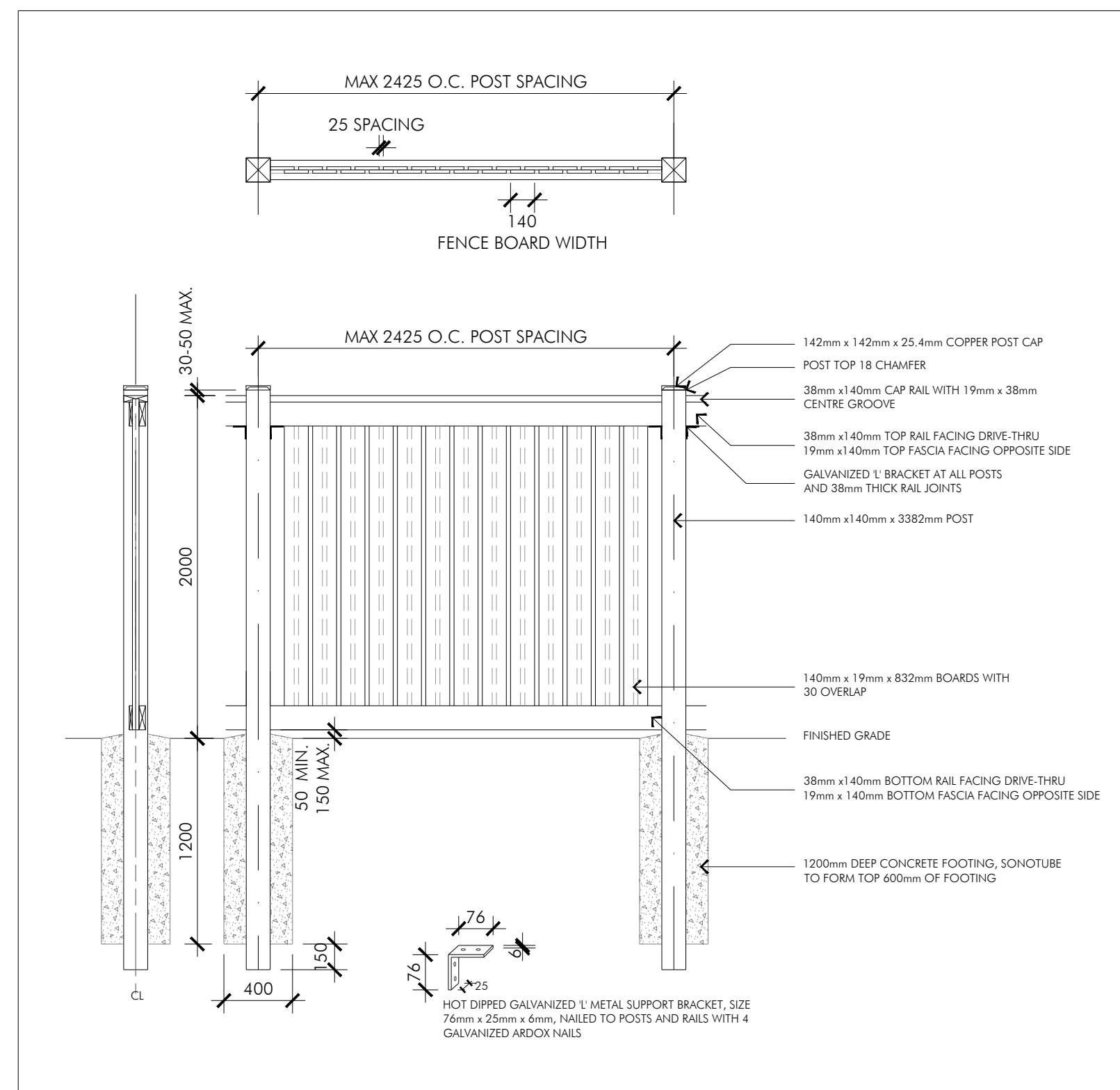
Tree Protection Barriers

- Tree protection barriers must be 1.2m (4ft) high, waterboard hoarding or an equivalent approved by Urban Forestry Services.
- Tree protection barriers for trees situated on the Town road allowance where visibility must be maintained can be 1.2m (4ft) high and consist of plastic web fencing on a wood frame made of 2" x 4" s.
- Where solid exclude or fill has to be temporarily located near a tree protection barrier, plywood must be used to ensure no material enters the Tree Protection Zone.
- All supports and bracing should be outside the Tree Protection Zone. All such supports should minimize damaging roots outside the Tree Protection Barrier.
- No construction activity, grade changes, surface treatment or excavations of any kind is permitted within the Tree Protection Zone.

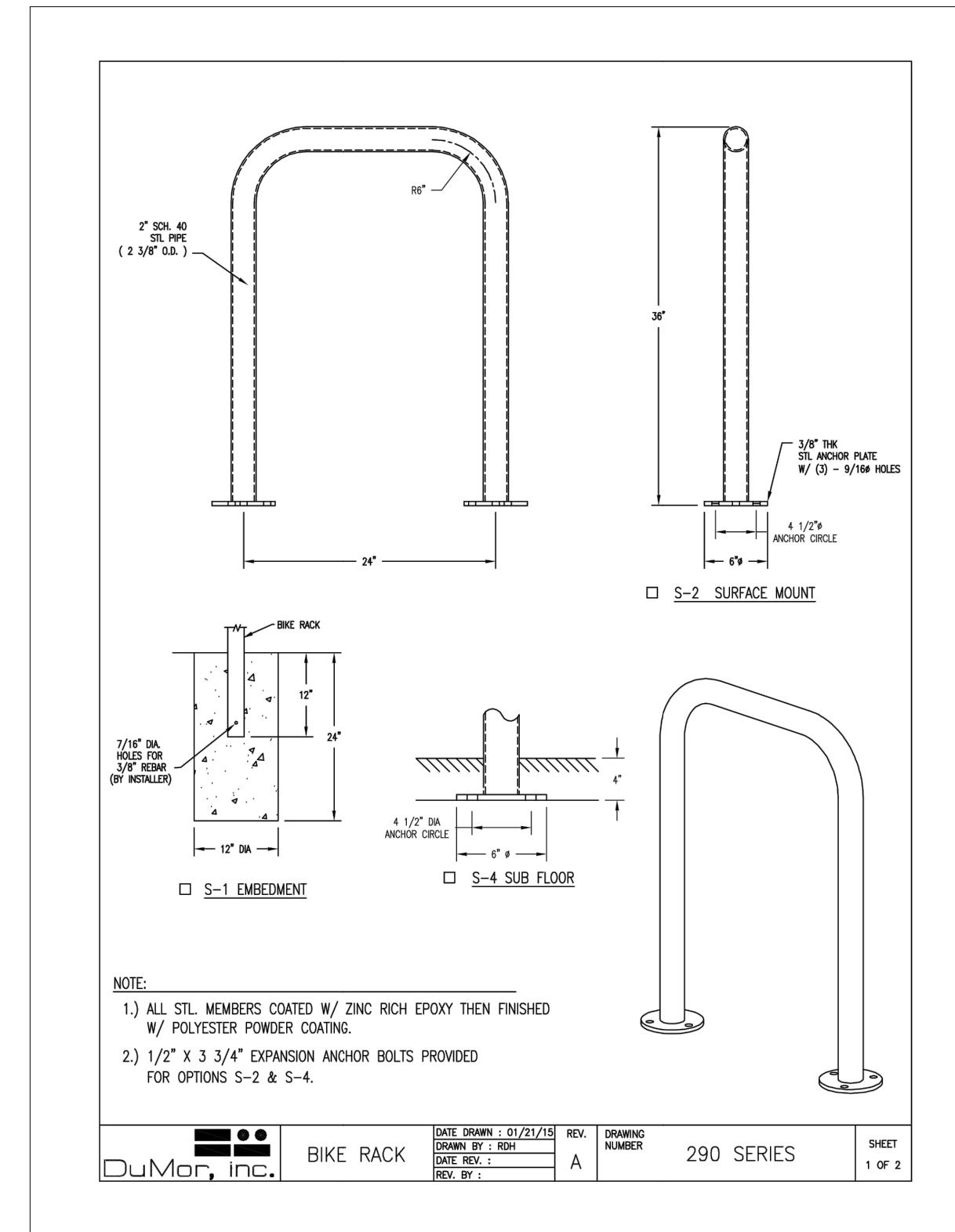
3 TREE PROTECTION DETAIL



4 SECTION - NORTH PROPERTY LIMIT



5 2.0M HIGH BOARD ON BOARD FENCE



BIKE RACK

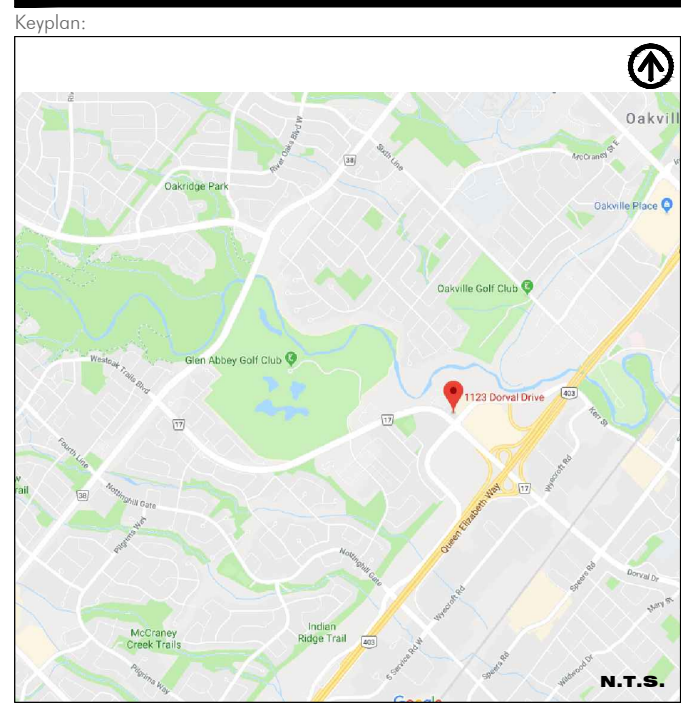
Product Name: Inverted 'U' Bike Rack 290 (S-1 Mounting)
 Product Number: 290-00/S-1
 Description: 2-3/8" O.D., 24" x 36" (W x H), 3 Bike Racks (Holds 6 Bicycles Total), 34 Lbs.
 Finish: Powder Coat (PC) Black finish

Manufacturer: DuMor Site Furnishings
 Phone: 1-800-598-4018
 Email: sales@dumor.com

Distributor: A.B.C. Recreation Limited.
 Phone: 1-800-267-5753
 Email: info@abccreation.com

INSTALLATION: Mount and Anchor as Specified by DuMor Site Furnishings.

6 BICYCLE RACKS



We have relied upon the accuracy and completeness of base & background information provided by the following Consultants in preparing this drawing and performing our professional services.

MGM CONSULTING INC. AMY CHOI CONSULTING

We are under no obligation or duty to verify the accuracy and/or completeness of this information and have not done so.

We shall not be held responsible for any errors or omissions that may arise or be incorporated as a result of erroneous or incomplete information provided by the Client, Consultants and Contractors.

The contractor will check and verify all dimensions and job conditions on the site and report any discrepancies to the Landscape Architect prior to the commencement of construction.

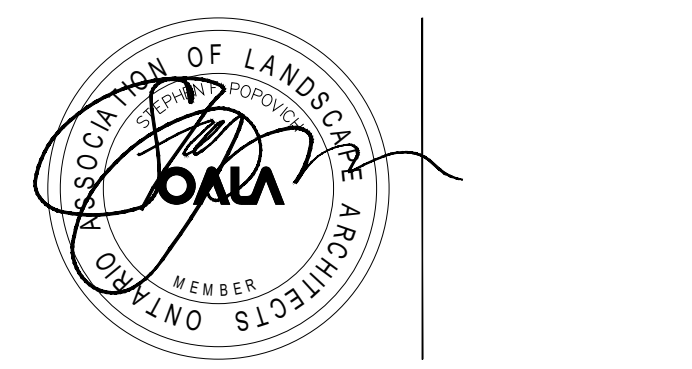


A Suncor Energy business

No.	Date (Y/M/D)	Issue / Revision	By
8	240617	REVISED PER SITE PLAN COMMENTS	SV
7	231220	REVISED PER NEW SITE PLAN	SV
6	231016	REVISED PER NEW SITE PLAN	SV
5	230605	REVISED PER NEW ARBORIST REPORT	SK
4	230525	REVISED PER NEW SITE PLAN	SK
3	200813	REVISED PER NEW SITE PLAN	GB
2	200720	ISSUED FOR SPA	GB
1	200630	ISSUED FOR REVIEW	GB

POPOVICH ASSOCIATES

1 Robert Speck Parkway, Suite 100
 Mississauga, Ontario L4Z 3M3
 T. 905.270.2229 F. 905.270.2190
 info@popovich.ca



Landscape Architect's electronic or digital seal or signature is effective only as to that version of this document as originally published by the Landscape Architect. Landscape Architect is not responsible for any subsequent modification, corruption, or unauthorized use of such document. To verify that validity or applicability of the seal or signature, contact Landscape Architect.

All drawings are the property of the Landscape Architect and may not be copied, reproduced or altered without written permission from the Landscape Architect. DO NOT SCALE DRAWING

Project Info:
SITE REDEVELOPMENT
 1123 Dorval Drive, Oakville, ON L6M 3H9

Client Info:
PETRO CANADA
 Suncor Energy Group

Sheet Title:
DETAILS

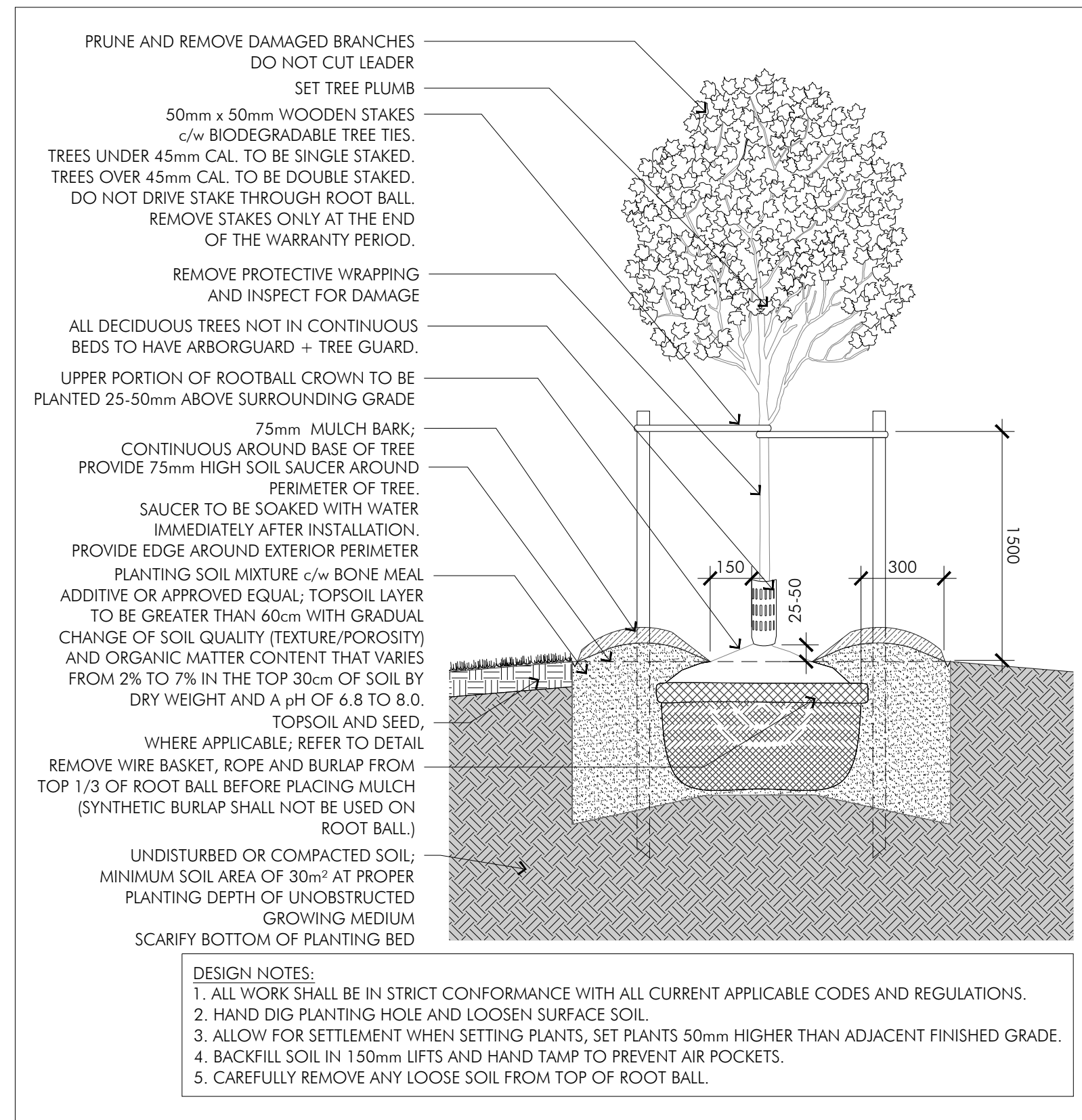
Outlet # 33755

Project Number: 1413
 Drawn By: GB
 Checked By: SP
 Date: JUNE 2020
 Scale: AS NOTED

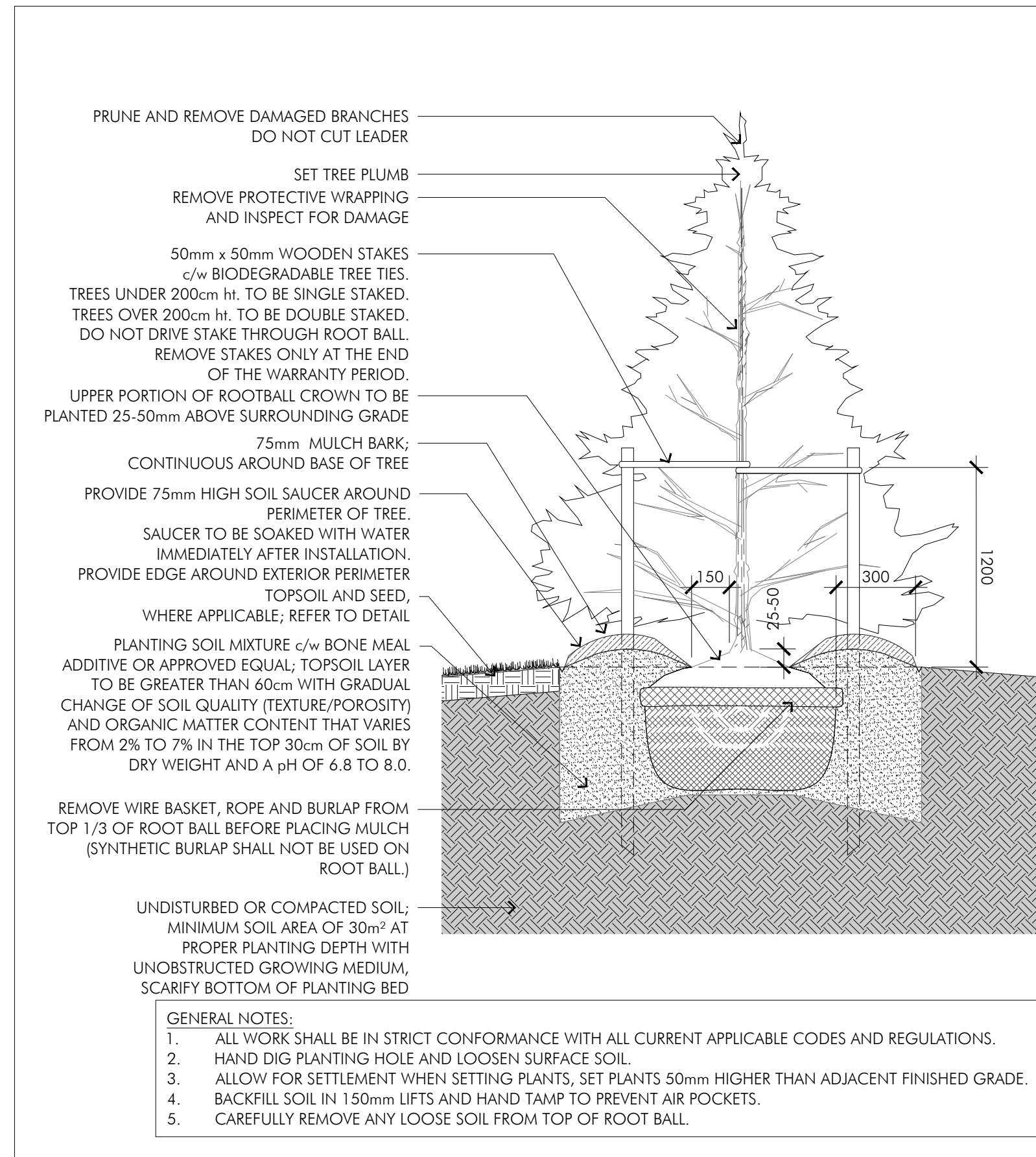
Sheet Number:
L2

PLANTING NOTES

- UNLESS OTHERWISE INDICATED, ALL TREES AND SHRUBS ARE TO BE PLANTED DIRECTLY INTO NATIVE TOPSOIL (SUBJECT TO SOIL ANALYSIS TO DETERMINE SUITABILITY AS A GROWING MEDIUM AND APPROVAL BY OWNER/LANDSCAPE ARCHITECT) OR PLANTING SOIL. 1000-1200mm DEPTH WITH A 1.0m DIAMETER AND 75mm DEPTH MULCH COVER. MULCH TO BE KEPT AWAY FROM TRUNK AND STEMS. REFER TO PLANTING DETAILS.
- PLANT MATERIALS TO BE SUPPLIED IN SUFFICIENT QUANTITIES TO COMPLETE DESCRIBED SCOPE OF WORK.
- PLANT MATERIALS TO CONFORM TO THE CANADIAN NURSERY ASSOCIATION METRIC GUIDE SPECIFICATIONS FOR NURSERY STOCK, LATEST EDITION. PLANT MATERIAL NOT CONFORMING SHALL BE REMOVED FROM SITE BY THE CONTRACTOR AT NO ADDITIONAL COST TO THE PROJECT.
- CONTRACTOR SHALL STAKE OUT ALL LOCATIONS FOR ALL UTILITIES AND SERVICES PRIOR TO STAKING OUT TREE LOCATIONS.
- ALL SHRUB PLANTINGS SHALL BE IN CONTINUOUS BEDS, UNLESS OTHERWISE INDICATED.
- PLANT MATERIAL COLLECTED FROM WILD SOURCES WILL NOT BE ACCEPTED. SUPPLIER INVOICES MAY BE REQUIRED BY LANDSCAPE ARCHITECT FOR INSPECTION.
- LAYOUT OF PLANT MATERIALS TO BE APPROVED BY LANDSCAPE ARCHITECT PRIOR TO INSTALLATION. DRAWING MAY BE SCALED FOR APPROXIMATE LAYOUT OF INDIVIDUAL TREES AND PLANTING BEDS.
- ANY SUBSTITUTIONS IN PLANT MATERIAL OR CHANGES TO QUANTITIES TO BE AUTHORIZED IN WRITING BY THE LANDSCAPE ARCHITECT.
- NO PLANTING INSTALLATIONS ARE TO BE EXECUTED DURING PERIODS OF EXTREME HEAT, DROUGHT OR ANY OTHER UNDESIRABLE CONDITION. LANDSCAPE ARCHITECT TO BE CONTACTED FOR AUTHORIZATION AND DIRECTION IN SITUATIONS OF UNCERTAINTY.
- LANDSCAPE ARCHITECT RESERVES THE RIGHT TO RELOCATE PLANT MATERIAL ON SITE AS NECESSARY TO MAINTAIN DESIGN INTENT AT NO ADDITIONAL COST AGAINST THE PROJECT BY THE CONTRACTOR.
- SHREDDED BARK MULCH TO BE UNIFORMLY APPLIED UNDER ALL TREES AND IN PLANTING BEDS TO 75mm THICKNESS. SAMPLE TO BE SUBMITTED TO THE LANDSCAPE ARCHITECT FOR APPROVAL.
- ALL DEAD OR DAMAGED BRANCHES ON TREES OR SHRUBS TO BE PRUNED OUT IN KEEPING WITH GOOD HORTICULTURAL PRACTICES AND AT A TIME APPROPRIATE TO SUBJECT SPECIES.
- ALL DIMENSIONS AND QUANTITIES TO BE VERIFIED BY CONTRACTOR. ALL DISCREPANCIES TO BE REPORTED TO LANDSCAPE ARCHITECT.
- ALL MAINTENANCE REQUIREMENTS NECESSARY FOR WARRANTY PURPOSES TO BE IDENTIFIED BY THE CONTRACTOR TO THE OWNER AND LANDSCAPE ARCHITECT.
- ALL WORKMANSHIP AND MATERIALS TO BE GUARANTEED FOR TWO YEARS FOLLOWING SUBSTANTIAL COMPLETION AS DOCUMENTED BY THE LANDSCAPE ARCHITECT AND/OR MUNICIPALITY.
- LANDSCAPE ARCHITECT RESERVES THE RIGHT TO EXTEND THE CONTRACTOR'S WARRANTY RESPONSIBILITIES FOR AN ADDITIONAL YEAR IF, AT THE END OF THE INITIAL WARRANTY PERIOD, LEAF DEVELOPMENT AND GROWTH IS NOT SUFFICIENT TO ENSURE FUTURE SURVIVAL AS DETERMINED BY THE LANDSCAPE ARCHITECT.
- ALL TREE STAKES AND ALL ASSOCIATED RESTRAINTS AND HARDWARE TO BE REMOVED BY THE CONTRACTOR AT THE END OF THE SPECIFIED WARRANTY PERIOD.
- CONTRACTOR TO PROVIDE UNIT PRICES IN CASE OF ADDITIONS/DELETIONS TO THE CONTRACT.
- CONTRACTOR IS RESPONSIBLE FOR ANY DAMAGE TO EXISTING LANDSCAPE AREAS AND MUST MAKE ALL NECESSARY RESTORATIONS AND REPAIRS.
- ALL PLANT MATERIAL LOCATIONS SHALL CONFORM TO THE HEIGHT AND SETBACK REQUIREMENTS ESTABLISHED BY THE MUNICIPALITY.



1
L3
1:20



2
L3
1:20

SOD & TOPSOIL NOTES:

TOPSOIL (SOD AREAS)

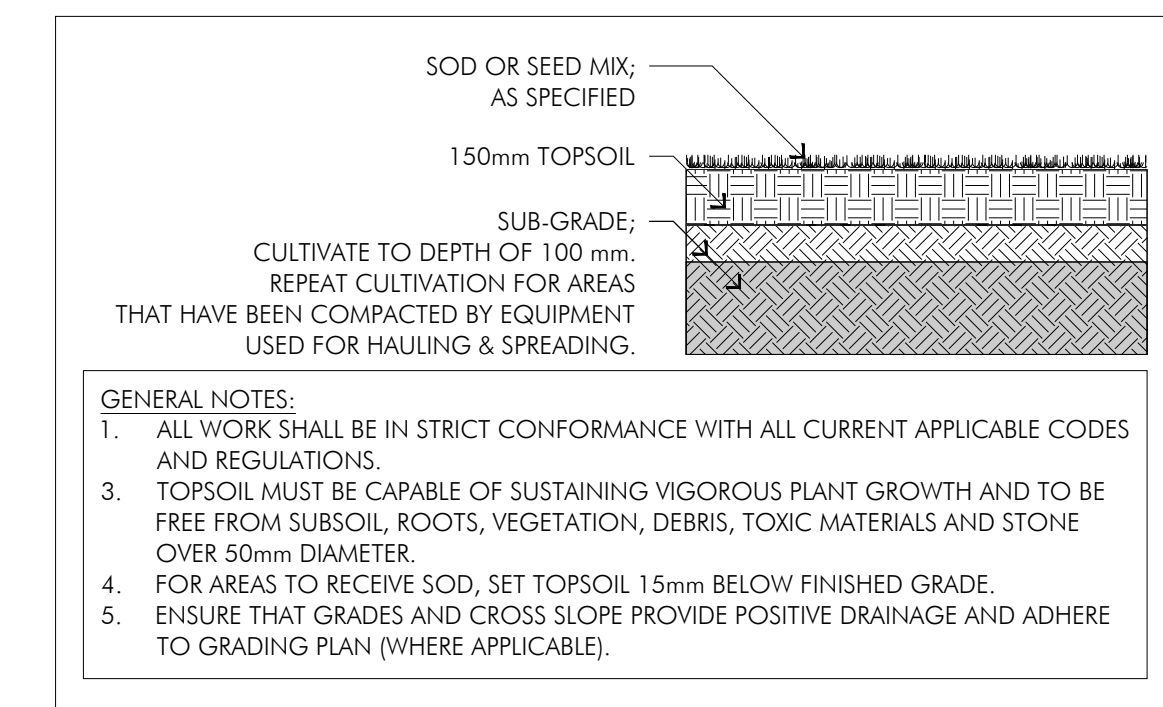
- IMPORTED TOPSOIL: FRIABLE, NEITHER HEAVY CLAY NOR OF VERY LIGHT SANDY NATURE, CONTAINING A MINIMUM OF 4% ORGANIC MATTER FOR CLAY LOAM AND 2% SANDY LOAMS TO A MAXIMUM OF 10% BY VOLUME. FREE FROM SUBSOIL, ROOTS, GRASS, WEEDS, TOXIC MATERIALS, STONES, FOREIGN OBJECTS AND WITH AN ACIDITY RANGE (pH) OF 5.5 TO 7.5. TOPSOIL CONTAINING CRABGRASS, COUCH GRASS OR NODDIUS WEEDS IS NOT ACCEPTABLE.
- TOPSOIL FROM SITE: MATERIAL SUBJECT TO SOIL ANALYSIS FOR SUITABILITY AS A GROWING MEDIUM FOR SEEDING OR SODDING AND APPROVAL BY ARCHITECT/LANDSCAPE ARCHITECT/OWNER PRIOR TO USE. COSTS BORNE BY CONTRACTOR.

FINISHED GRADING

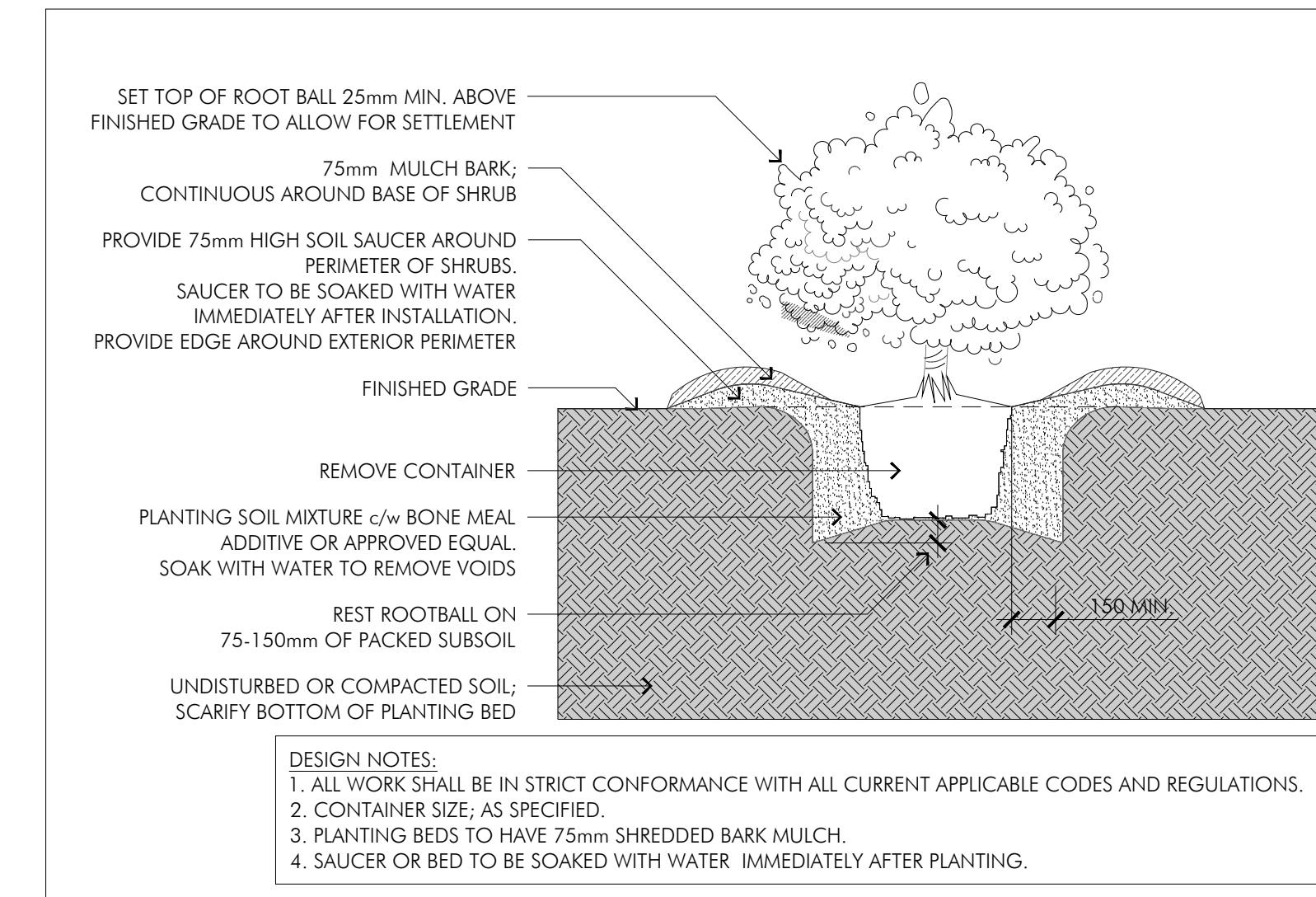
- DO NOT SPREAD TOPSOIL UNTIL CONSULTANT HAS INSPECTED AND APPROVED SUBGRADE.
- SPREAD TOPSOIL WITH ADEQUATE MOISTURE IN UNIFORM LAYERS DURING DRY WEATHER OVER APPROVED, DRY, UNFROZEN SUBGRADE, WHERE SODDING OR SEEDING.
- FOR AREAS NOT TO BE SODDED, BRING TOPSOIL UP TO FINISHED GRADE.
- DISPOSE OF SURPLUS TOPSOIL NOT REQUIRED FOR FINE GRADING AND LANDSCAPING, OFF SITE.

SODDING

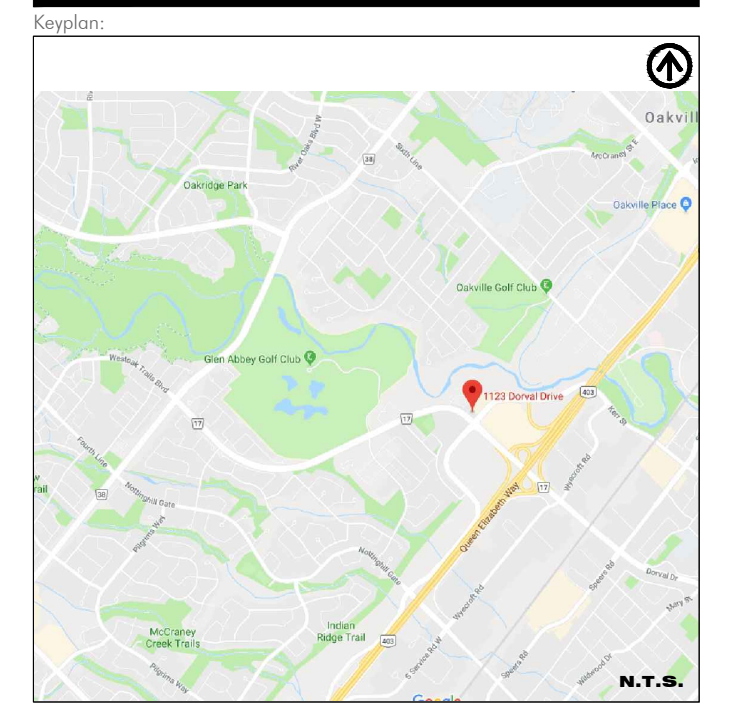
- SCHEDULE DELIVERIES IN ORDER TO KEEP STORAGE AT JOB SITE TO A MINIMUM WITHOUT CAUSING DELAYS.
- DELIVER, UNLOAD, AND STORE ON PALLETS.
- DURING WET WEATHER, ALLOW SOD TO DRY SUFFICIENTLY TO PREVENT TEARING DURING LIFTING AND HANDLING.
- DURING DRY WEATHER, PROTECT SOD FROM DRYING AND WATER SOD AS NECESSARY TO ENSURE ITS VITALITY AND PREVENT DROPPING OF SOIL IN HANDLING. DRY SOD WILL BE REJECTED.
- NURSERY SOD: QUALITY AND SOURCE TO COMPLY WITH STANDARDS OUTLINED IN THE METRIC GUIDE SPECIFICATION FOR NURSERY STOCK, SECTION 17, 1984 EDITION, PUBLISHED BY THE CANADIAN NURSERY TRADES ASSOCIATION. NUMBER ONE KENTUCKY BLUEGRASS SOD: GROWN FROM MINIMUM MIXTURE OF THREE KENTUCKY BLUEGRASS CULTIVARS.
- OBTAIN APPROVAL OF TOPSOIL, GRADE AND DEPTH PRIOR TO LAYING SOD.
- LAY SOD DURING GROWING SEASON, SODDING DURING FREEZING TEMPERATURES OR OVER FROZEN SOIL IS NOT ACCEPTABLE. IF LAYING SOD DURING DRY SUMMER PERIOD, ENSURE SURVIVAL WITH IMMEDIATE DAILY WATERING UNTIL TIME OF FINAL INSPECTION.
- LAY SOD IN ROWS, PERPENDICULAR TO SLOPE, AND WITH JOINTS STAGGERED. BUTT SECTIONS CLOSELY WITHOUT OVER-LAPPING OR LEAVING GAPS BETWEEN SECTIONS. CUT OUT IRREGULAR OR THIN SECTIONS WITH A SHARP KNIFE.
- STAKE ALL SOD ON SLOPES GREATER THAN 5:1 (20%)
- PROVIDE CLOSE CONTACT BETWEEN SOD AND SOIL BY MEANS OF LIGHT ROLLING. HEAVY ROLLING TO CORRECT IRREGULARITIES IN GRADE IS NOT PERMITTED.
- WATER IMMEDIATELY AFTER SOD IS LAID TO OBTAIN MOISTURE PENETRATION THROUGH SOD INTO TOP 100mm (4") OF TOPSOIL.
- PROVIDE ADEQUATE PROTECTION OF NEW SODDED AREAS AGAINST EROSION, FOOT TRAFFIC, AND MECHANICAL DAMAGE. REMOVE PROTECTION AFTER LAWN AREAS HAVE BEEN ESTABLISHED OR ACCEPTED.
- CLEAN UP IMMEDIATELY SOIL OR DEBRIS SPILLED ONTO PAVEMENT AND DISPOSE OF DELETERIOUS MATERIALS.
- SODDED AREAS WILL BE ACCEPTED AT FINAL INSPECTION AND WARRANTY PERIOD BEGINS PROVIDED THAT:
 - SODDED AREAS ARE PROPERLY ESTABLISHED
 - SOD IS FREE OF BARE AND DEAD SPOTS AND WITHOUT WEEDS
 - NO SURFACE SOIL IS VISIBLE WHEN GRASS HAS BEEN CUT TO A HEIGHT OF 40mm (1.5")
 - SODDED AREAS HAVE BEEN CUT A MINIMUM OF TWO TIMES
 - SOD JOINTS BETWEEN ROLLS ARE NEAT AND TIGHT WITH NO VISIBLE DIRT AREAS
- IT IS THE CONTRACTOR'S RESPONSIBILITY TO MAINTAIN SOD UNTIL TIME OF FINAL ACCEPTANCE. MAINTENANCE OF SOD DURING WARRANTY PERIOD IS THE RESPONSIBILITY OF THE OWNER.
- MAINTENANCE TASKS INCLUDE ALL OF THE FOLLOWING:
 - WATERING
 - FERTILIZING
 - WEED CONTROL
 - CUTTINGS AND MOWING
- SUBMIT SEPARATE MAINTENANCE COST FOR COORDINATION BY OWNER DURING WARRANTY PERIOD ONLY.



3
L3
1:20



4
L3
1:20



We have relied upon the accuracy and completeness of base & background information provided by the following Consultants in preparing this drawing and performing our professional services.
MGM CONSULTING INC. AMY CHOI CONSULTING

We are under no obligation or duty to verify the accuracy and/or completeness of this information and have not done so.
We shall not be held responsible for any errors or omissions that may arise or be incorporated as a result of erroneous or incomplete information provided by the Client, Consultants and Contractors.
The contractor will check and verify all dimensions and job conditions on the site and report any discrepancies to the Landscape Architect prior to the commencement of construction.

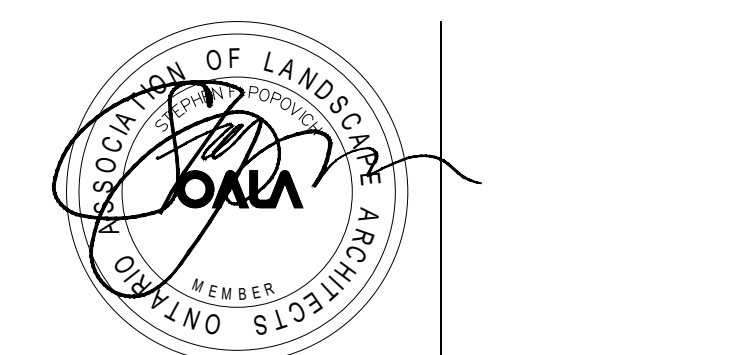


A Suncor Energy business

No.	Date (Y/M/D)	Issue / Revision	By
5	230605	REVISED PER NEW ARBORIST REPORT	SK
4	230525	REVISED PER NEW SITE PLAN	SK
3	200813	REVISED PER NEW SITE PLAN	GB
2	200720	ISSUED FOR SPA	GB
1	200630	ISSUED FOR REVIEW	GB

POP OVICH
A S S O C I A T E S

1 Robert Speck Parkway, Suite 100
Mississauga, Ontario L4Z 3M3
T. 905.270.2229 F. 905.270.2190
info@popovich.ca



Landscape Architect's electronic or digital seal or signature is effective only as to that version of this document as originally published by the Landscape Architect. Landscape Architect is not responsible for any subsequent modification, corruption, or unauthorized use of such document. To verify that validity or applicability of the seal or signature, contact Landscape Architect.
All drawings are the property of the Landscape Architect and may not be copied, reproduced or altered without written permission from the Landscape Architect.
DO NOT SCALE DRAWING

Project Info:
SITE REDEVELOPMENT
1123 Dorval Drive, Oakville, ON L6M 3H9

Client Info:
PETRO CANADA
Suncor Energy Group

Sheet Title:
DETAILS

Outlet # 33755

Project Number: 1413
Drawn By: GB
Checked By: SP
Date: JUNE 2020
Scale: AS NOTED

Sheet Number:
L3