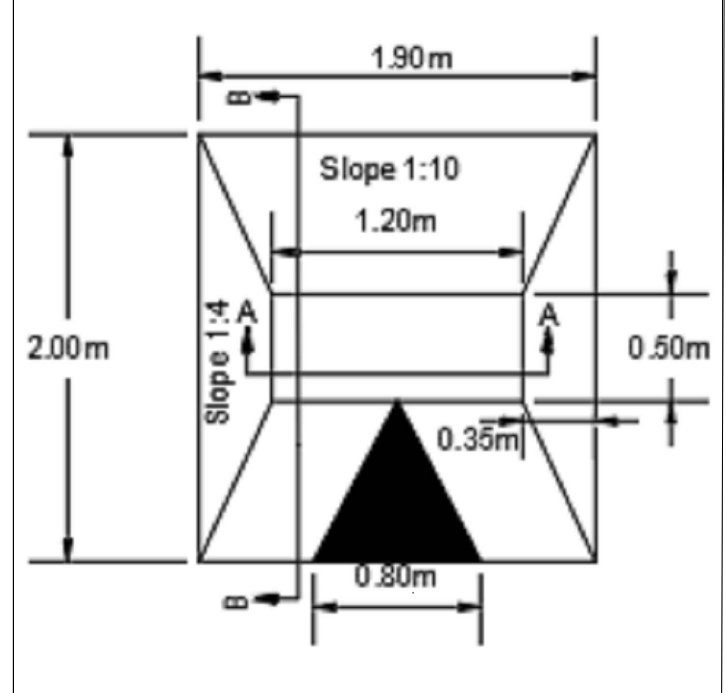
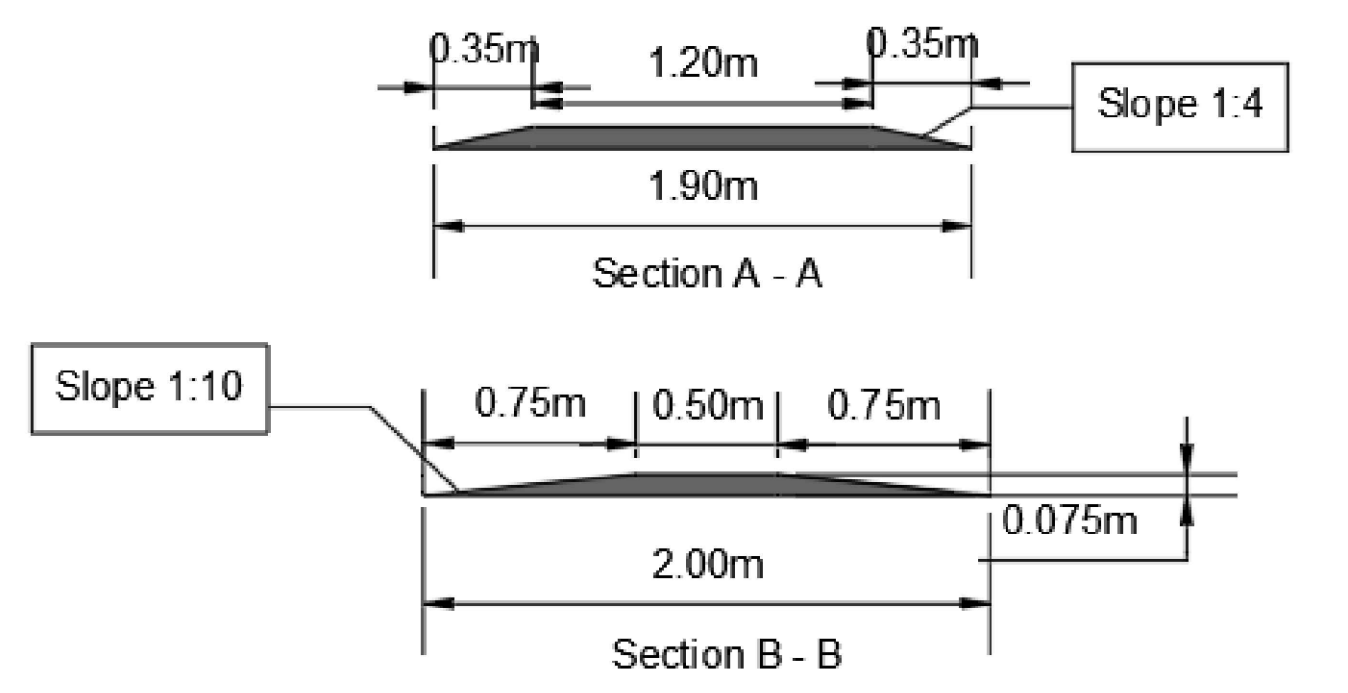




Notes:
 1) Drawing scale is 1:500, speed cushion details shown in circular view are not to scale.



Legend:

- TCN
- Wa-74
- Wa-74A

SCALE: 1:500
REVISION: 1
DRAWN BY: KT
CHECKED BY:
DATE: MAY 08 2024
ISSUE FOR TENDER
DATE:
ISSUE FOR CONSTRUCTION
DATE:

OAKVILLE
Traffic Calming Design
 Devon Road
 Maple Grove Drive to Brookmill Road
 Transportation and Engineering Department

Contract No.	Drawing No. Sheet 1 of 1
--------------	--------------------------