

No.	ISSUE	DATE: MM/DD/YYYY
1	ISSUED FOR 1st SUBMISSION	2024/08/30

Project: **BLOCK 154 NORTH OAKVILLE TOWN OF OAKVILLE**

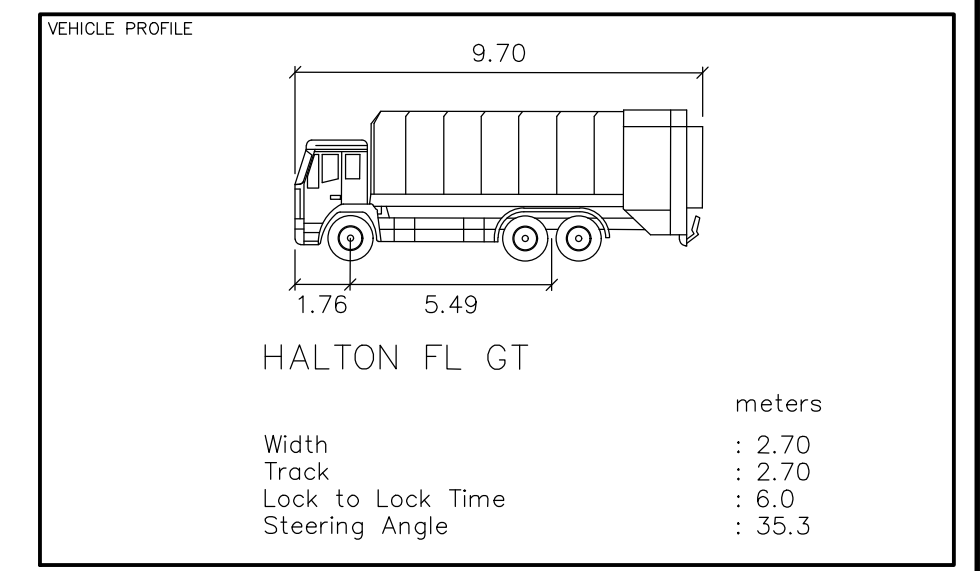
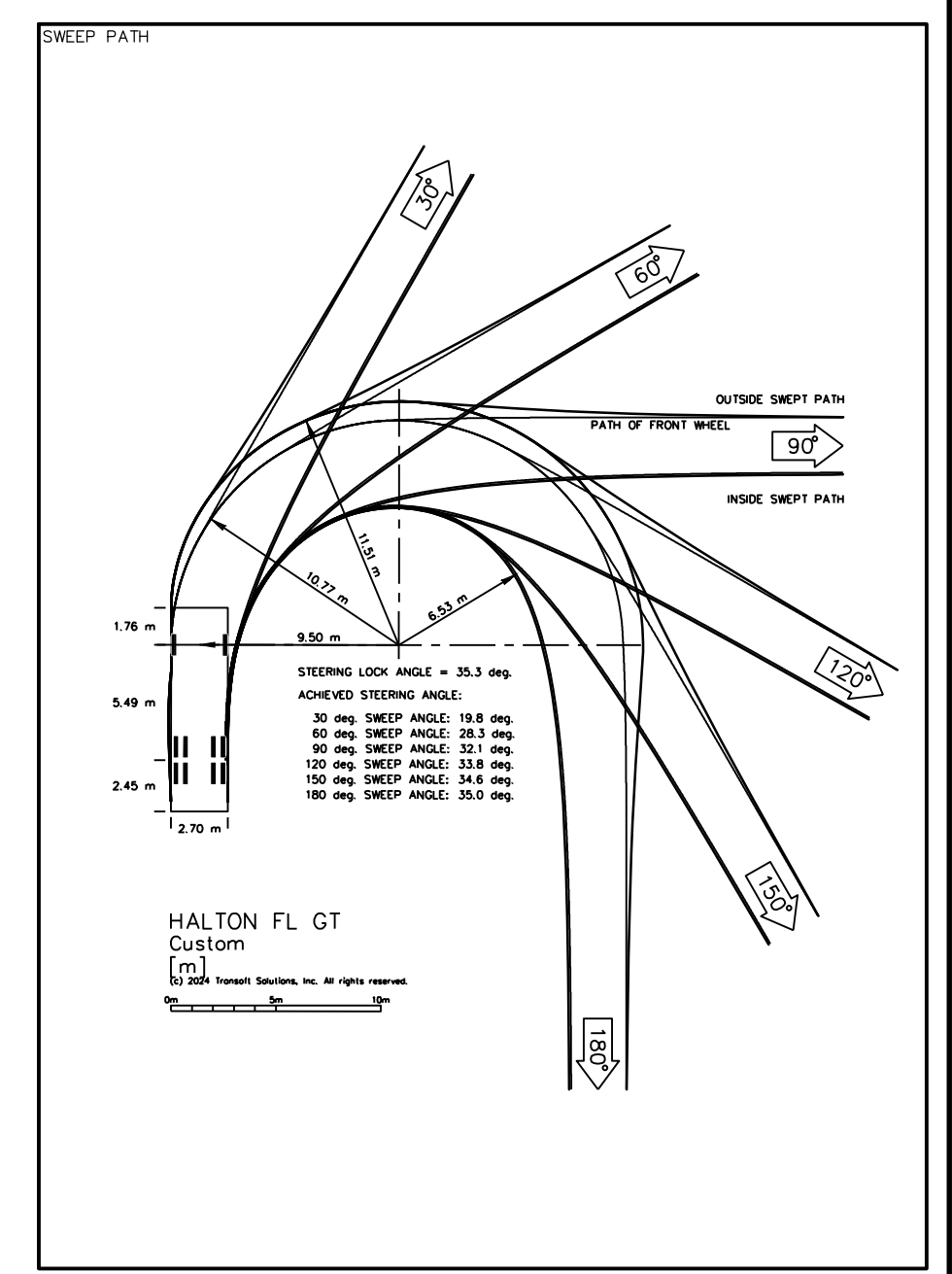
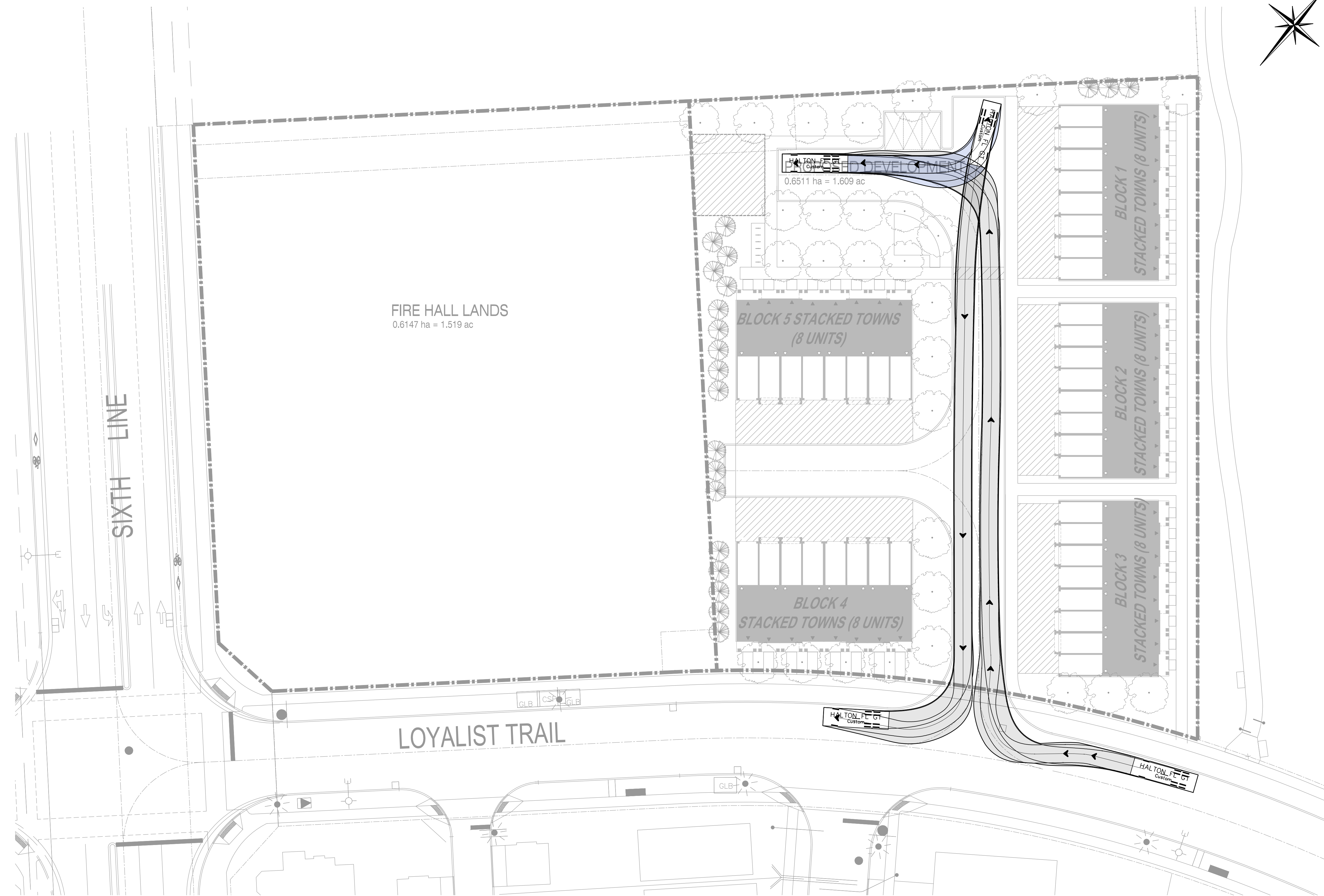
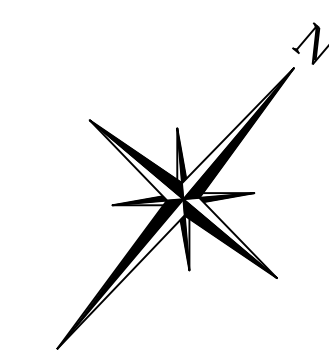
Drawing: **VEHICLE MANEUVERING ANALYSIS HALTON PUMPER FIRE TRUCK**



Drawn By	I.M.	Design By	I.M.	Project	2712-7169
Check By	S.S.	Sheet	1 of 3	Scale	1:300
				Drawing	T-001

FOR REVIEW
NOT TO BE USED FOR CONSTRUCTION





No.	ISSUE	DATE: MM/DD/YYYY
1	ISSUED FOR 1st SUBMISSION	2024/08/30

Project
BLOCK 154 NORTH OAKVILLE
 TOWN OF OAKVILLE

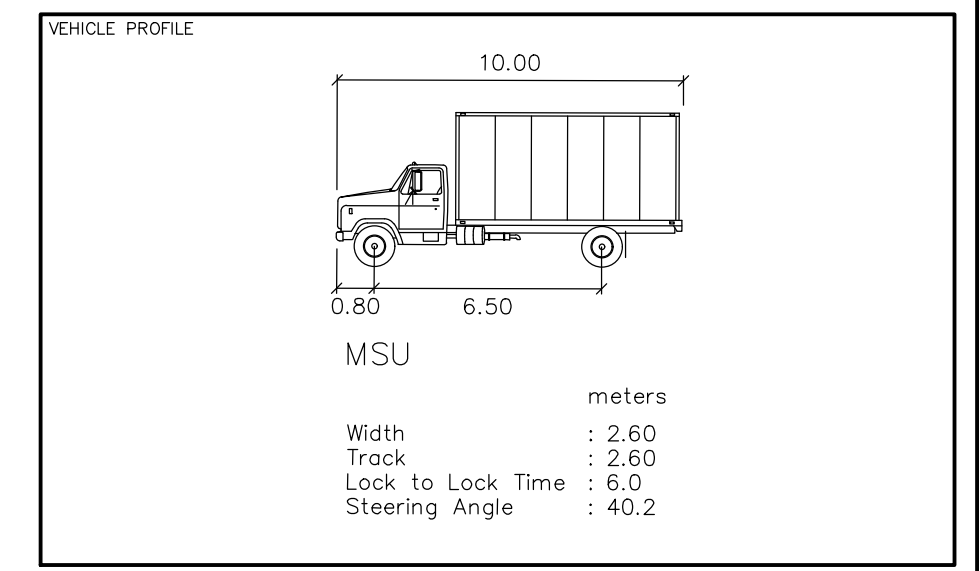
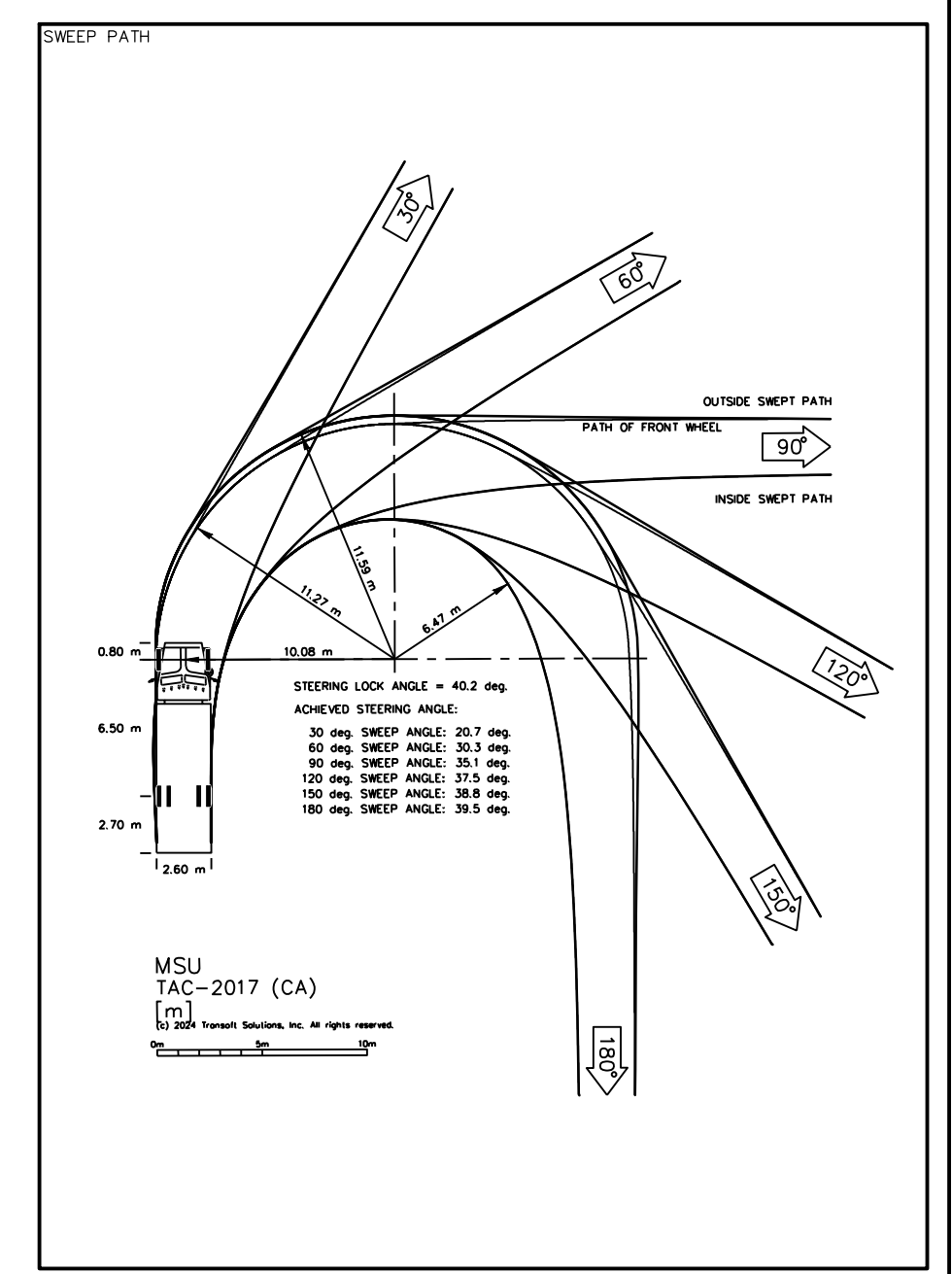
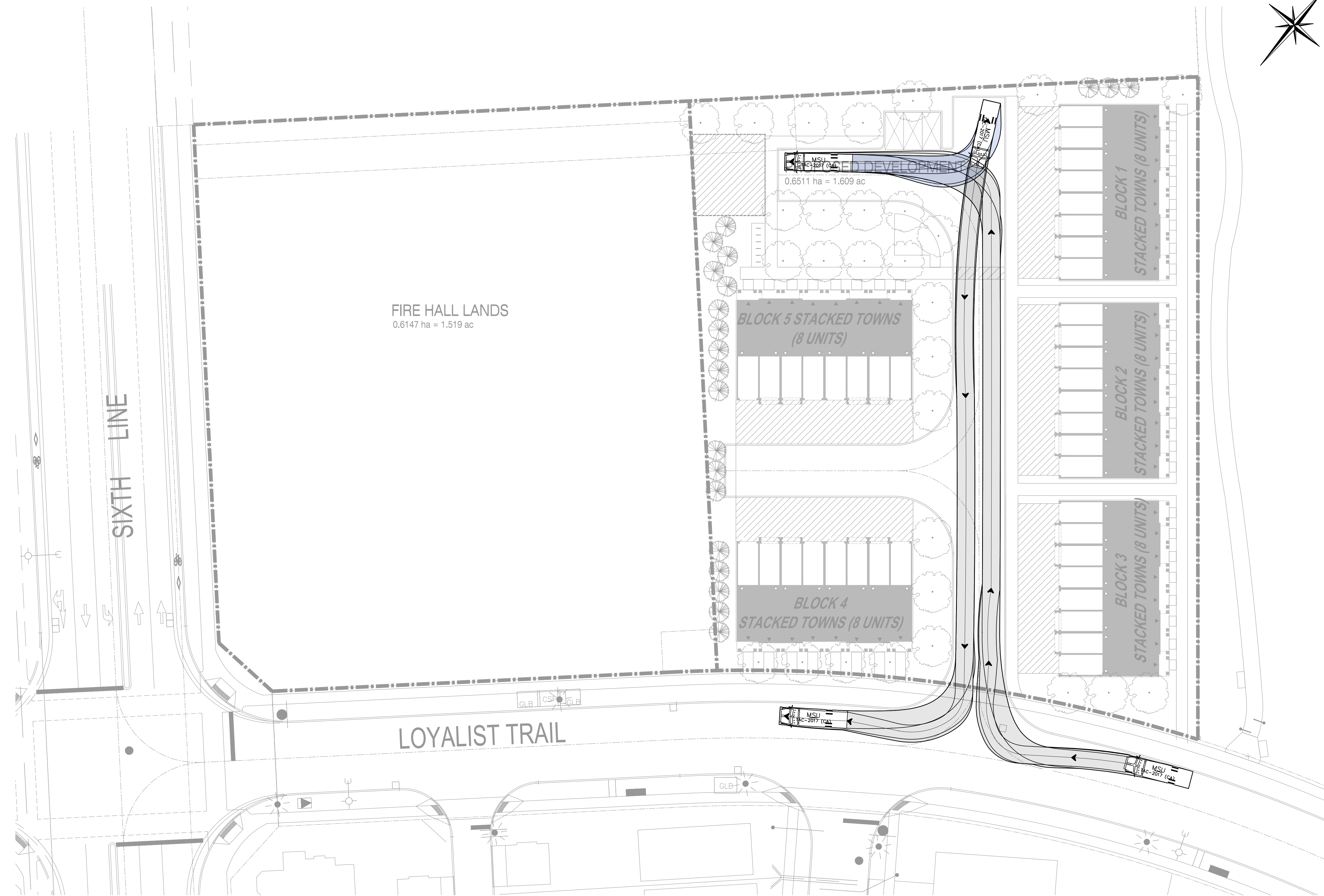
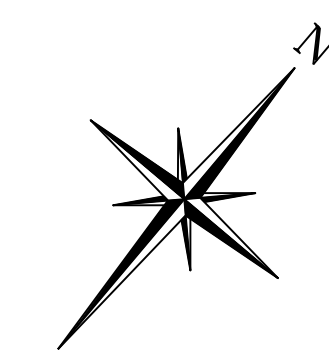
Drawing
VEHICLE MANEUVERING ANALYSIS
 HALTON GARBAGE TRUCK



Drawn By	I.M.	Design By	I.M.	Project	2712-7169
Check By	S.S.	Sheet	2 of 3	Scale	1:300
				Drawing	T-002

FOR REVIEW
 NOT TO BE USED FOR CONSTRUCTION





No.	ISSUE	DATE: MM/DD/YYYY
1	ISSUED FOR 1st SUBMISSION	2024/08/30

Project: BLOCK 154 NORTH OAKVILLE TOWN OF OAKVILLE

Drawing: VEHICLE MANEUVERING ANALYSIS MSU



Drawn By	I.M.	Design By	I.M.	Project	2712-7169
Check By	S.S.	Sheet	3 of 3	Scale	1:300
				Drawing	T-003

FOR REVIEW
NOT TO BE USED FOR CONSTRUCTION

