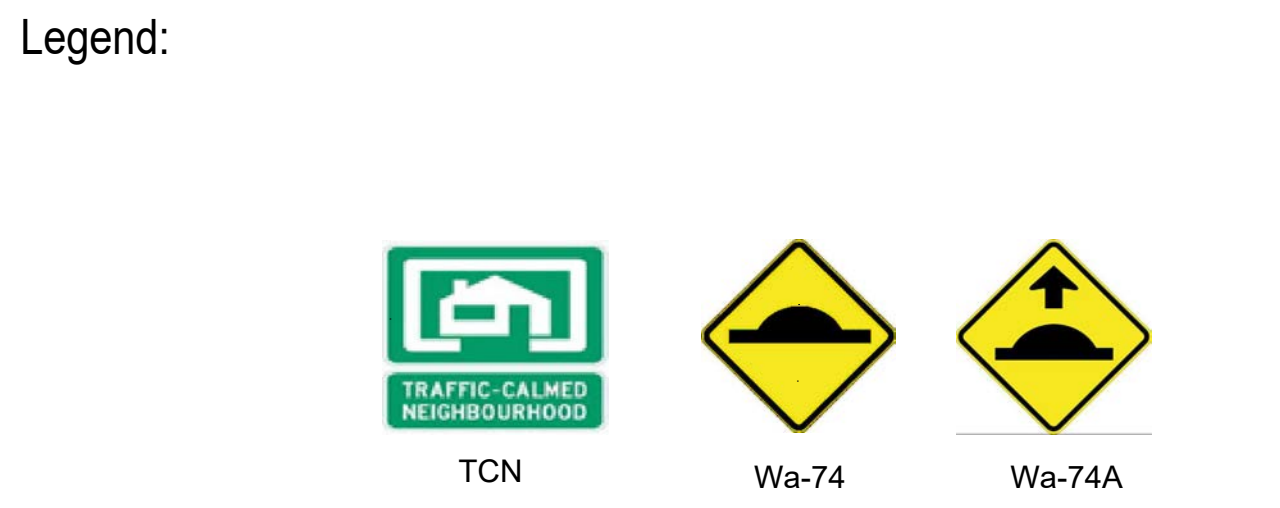
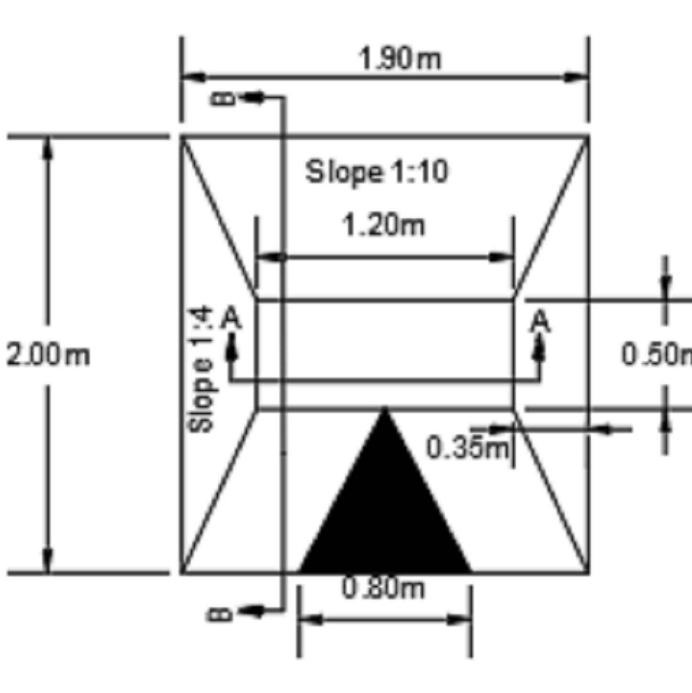
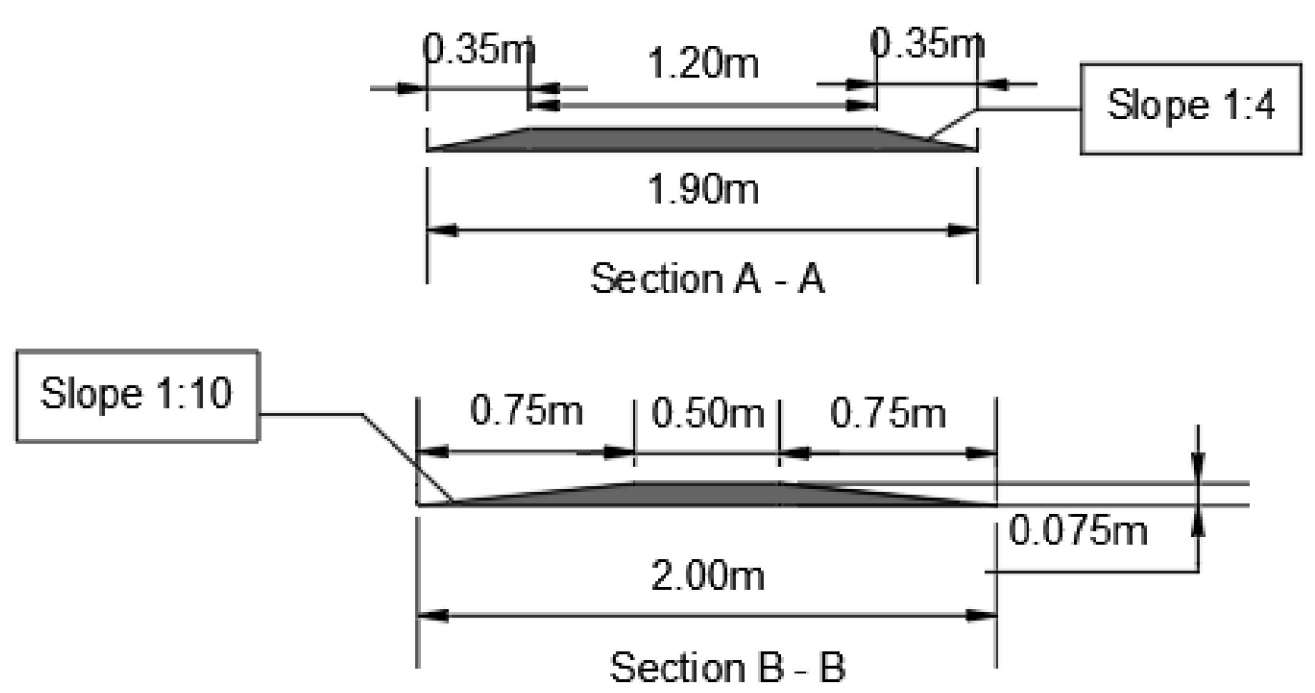


Notes:  
 1) Drawing scale is 1:500, speed cushion details shown in circular view are not to scale, follow dimensions for spacing between speed cushions



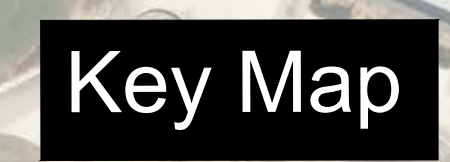
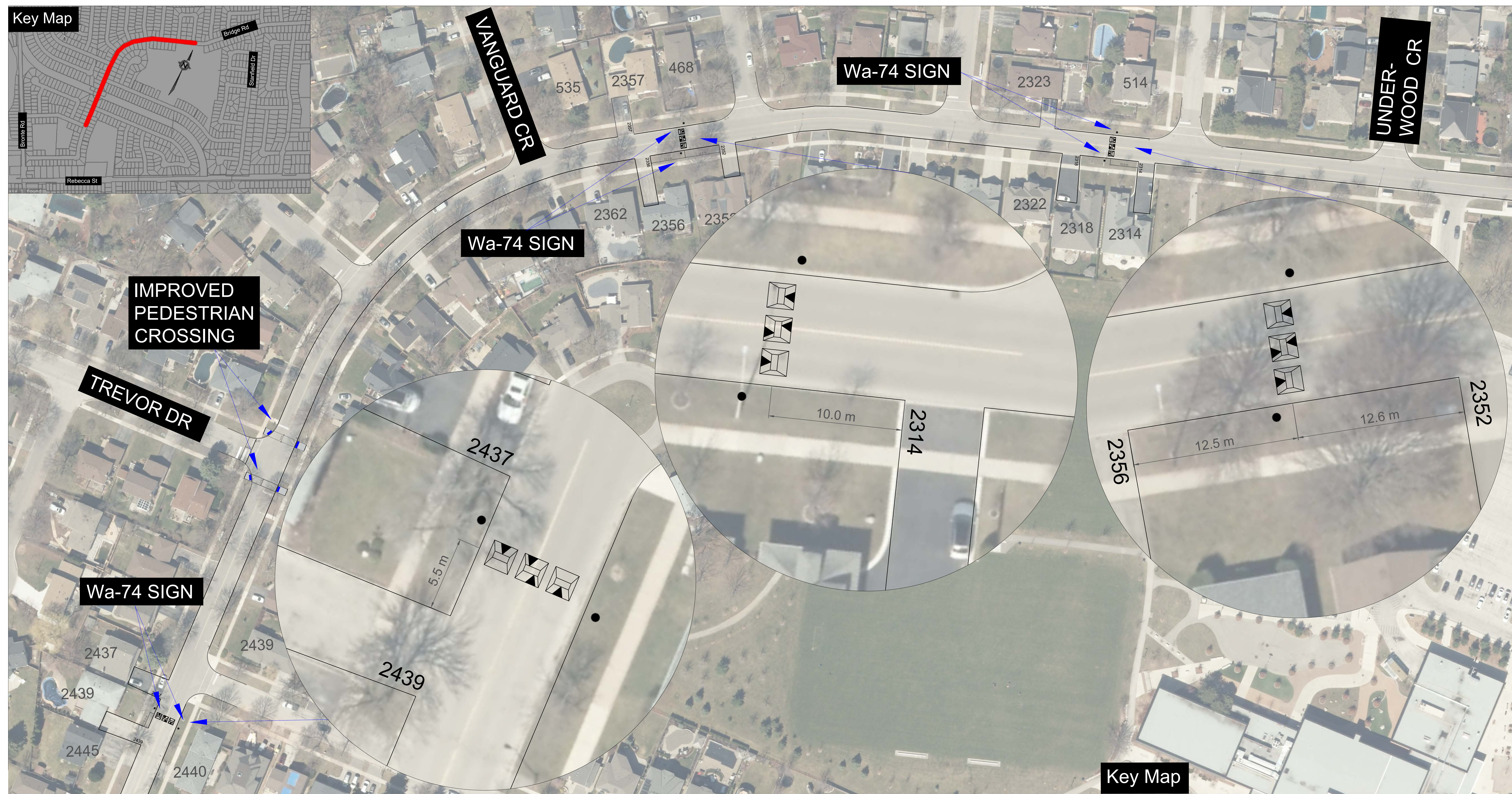
SCALE: 1:500
REVISION: 1
DRAWN BY: KT
CHECKED BY: JM
DATE: May 8 2024
ISSUE FOR TENDER
DATE:
ISSUE FOR CONSTRUCTION
DATE:

**OAKVILLE**  
 Traffic Calming Design

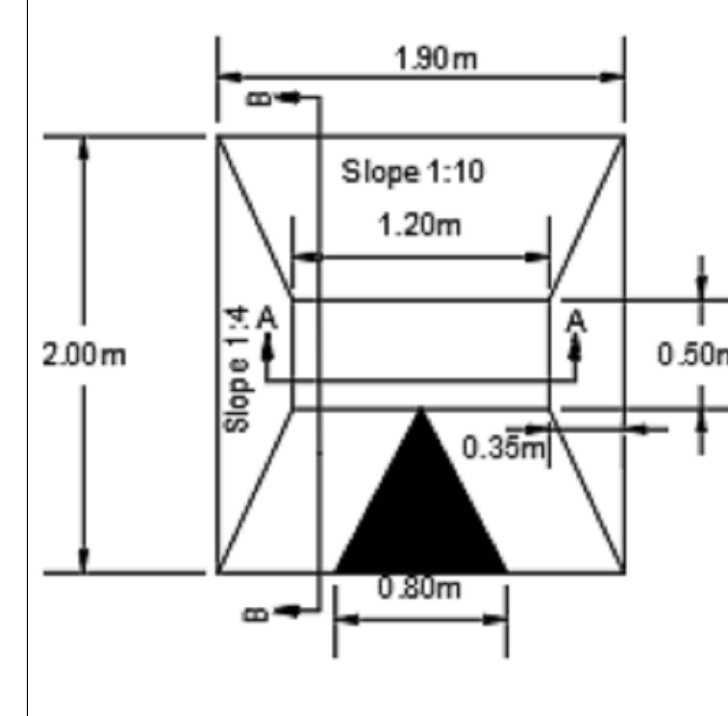
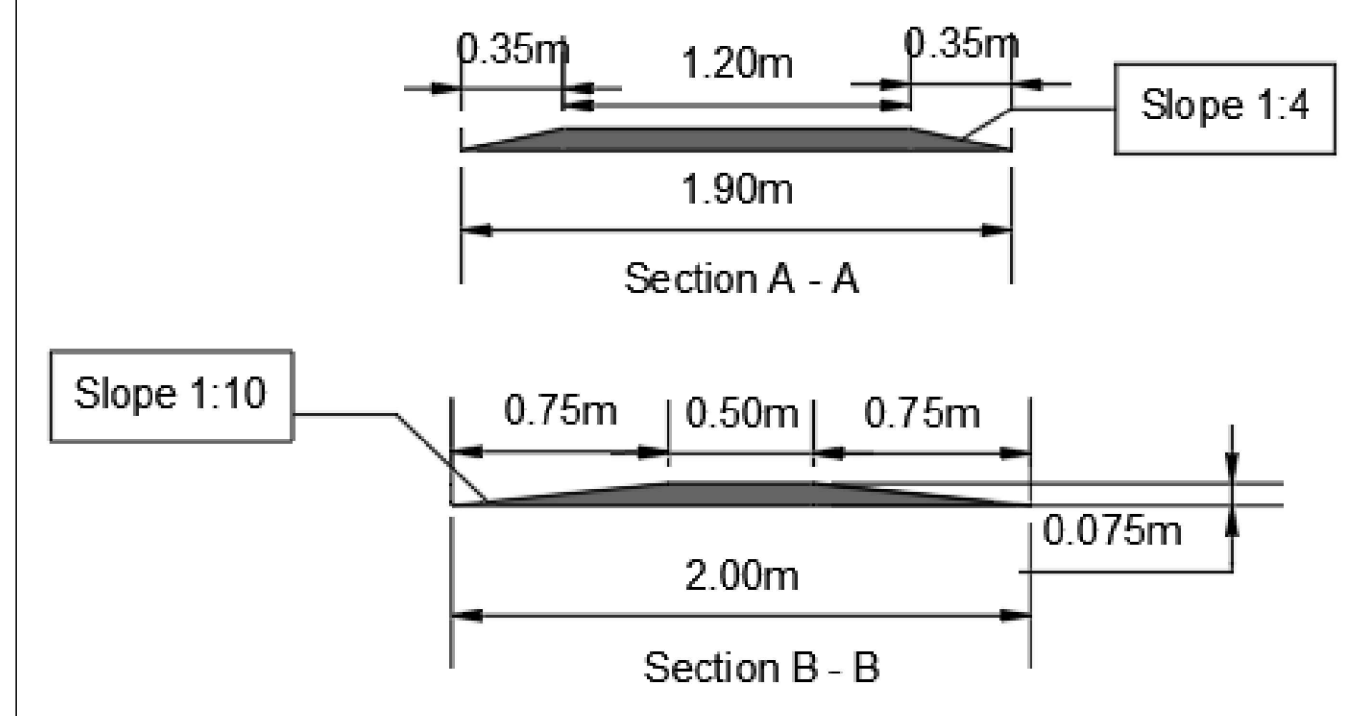
Bridge Road  
 Bronte Road to Stanfield Drive

Transportation and Engineering Department

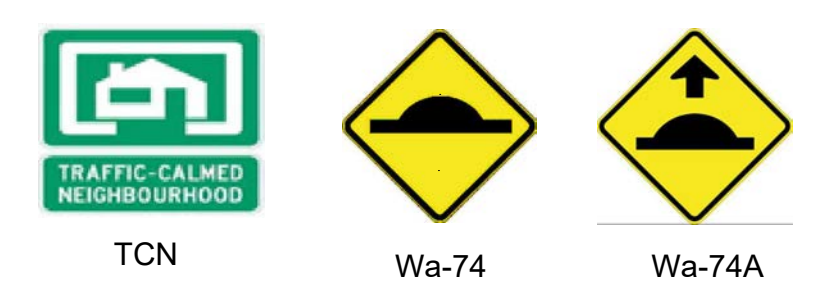
Sheet 1 of 3



Notes:  
 1) Drawing scale is 1:600, speed cushion details shown in circular view are not to scale, follow dimensions for spacing between speed cushions



Legend:



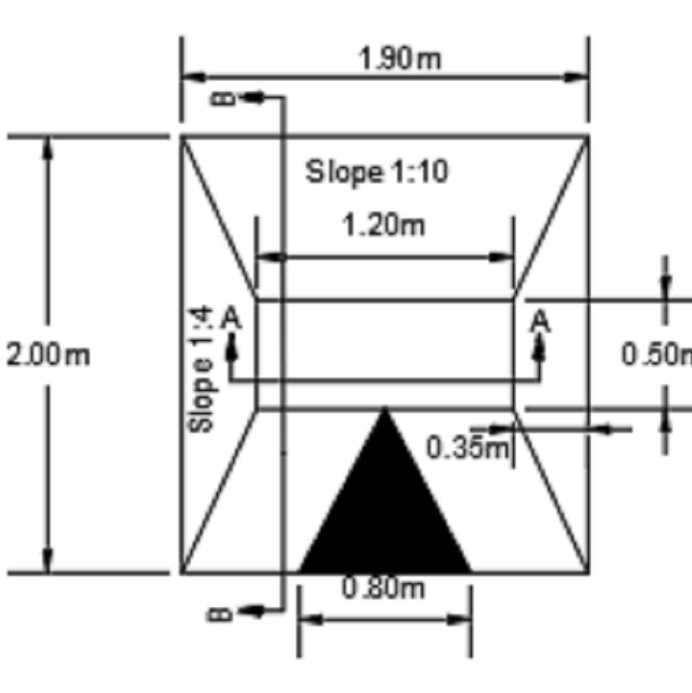
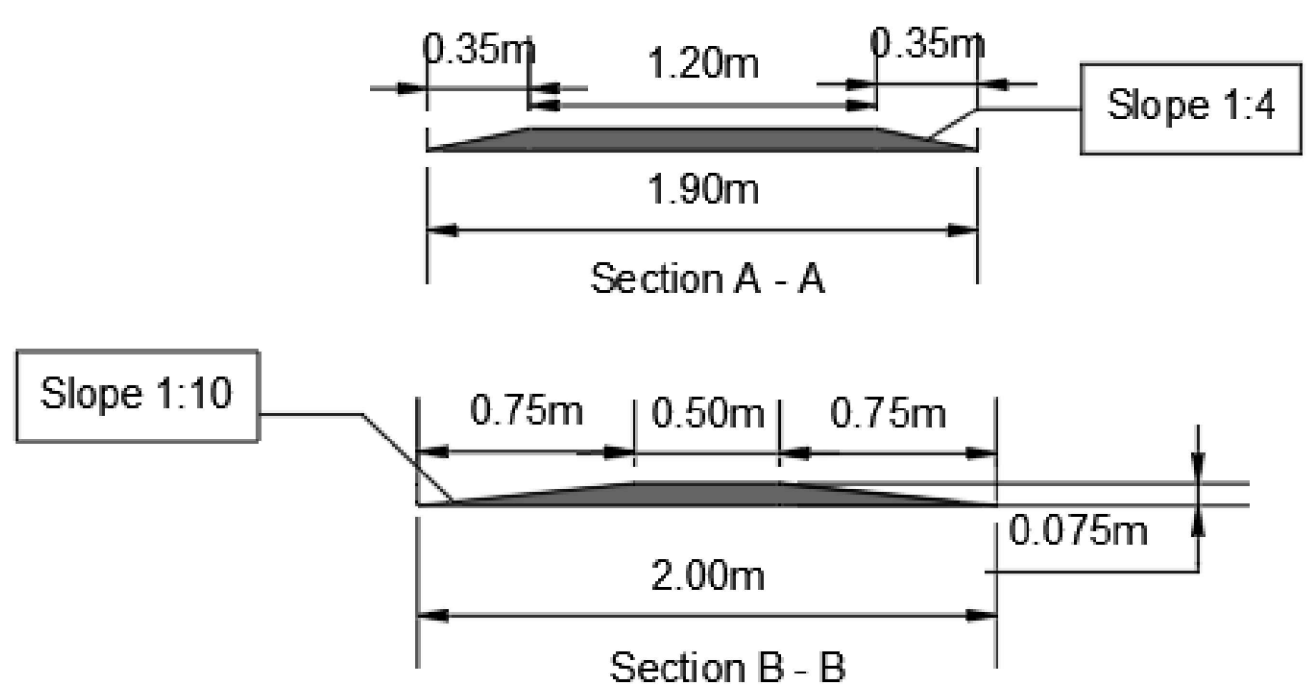
SCALE: 1:600
REVISION: 1
DRAWN BY: KT
CHECKED BY: JM
DATE: May 8 2024
ISSUE FOR TENDER
DATE:
ISSUE FOR CONSTRUCTION
DATE:

  
**OAKVILLE**  
**Traffic Calming Design**  
 Bridge Road  
 Bronte Road to Stanfield Drive  
**Transportation and Engineering Department**

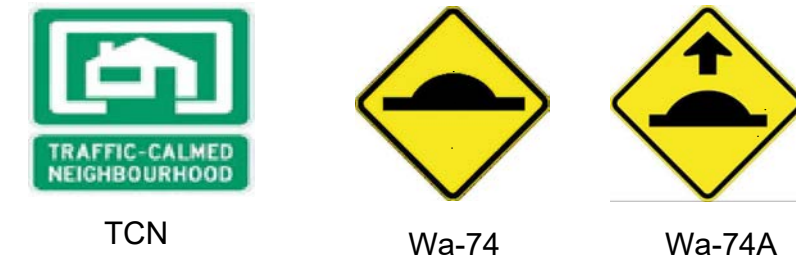
Sheet 2 of 3



Notes:  
 1) Drawing scale is 1:500, speed cushion details shown in circular view are not to scale, follow dimensions for spacing between speed cushions



Legend:



SCALE: 1:500
REVISION: 1
DRAWN BY: KT
CHECKED BY: JM
DATE: May 8 2024
ISSUE FOR TENDER
DATE:
ISSUE FOR CONSTRUCTION
DATE:

  
**OAKVILLE**  
 Traffic Calming Design  
 Bridge Road  
 Bronte Road to Stanfield Drive  
 Transportation and Engineering Department

Sheet 3 of 3